

# Self-locking protection. Sales-boosting performance!

Designed to work with any glass swing out door cabinet.



With Smart Lock, retailers can increase their profits by making merchandise accessible and empowering their associates to service customers. Smart Lock provides reliable and robust security for inventory placed in cabinets, while enabling a positive customer experience.

The L440 Smart Lock is specifically designed for swing out glass doors and incorporates a self-locking feature that ensures the cabinet is locked when closed. The streamlined design allows for optimal merchandise display. L440's locking mechanism is behind the glass, inside the cabinet — greatly improving defeat resistance!



## FEATURES AND BENEFITS

- 1 Designed for swing-out glass doors on wood or glass frame fixtures
- 2 Brace option enables protection of double doors with a single lock
- 3 Only lock designed to be installed on a glass frame — no drilling required



## FEATURES AND BENEFITS (continued)

- 1 Can be applied to top or bottom of cabinet
- 2 Streamlined design with attractive chrome finish
- 3 Locking mechanism inside cabinet
- 4 L440 Smart Lock is part of the exclusive InVue single key IR Ecosystem™
- 5 Access Manager™ compatible



**IR ECOSYSTEM™**

The L440 is part of the exclusive InVue IR Ecosystem™, a storewide single key solution that improves customer service, increases sales and provides high theft protection.

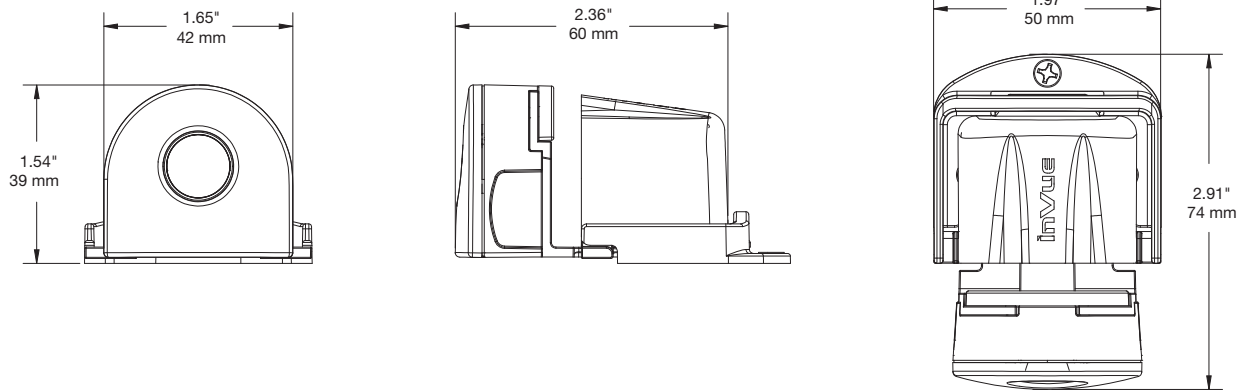


- Handheld Electronics
- Electronic Accessories
- Secure Fixtures
- Package Protection
- Locked Cabinets
- Commercial Solutions

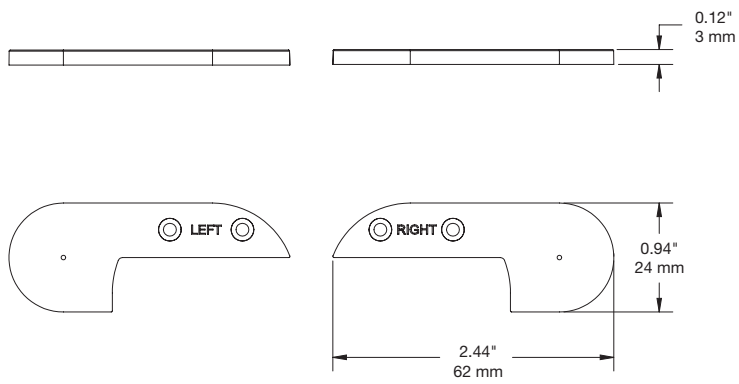


**SPECIFICATIONS**

L440 (PL901):

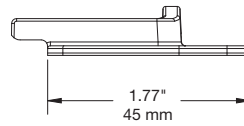
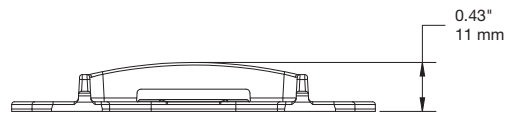
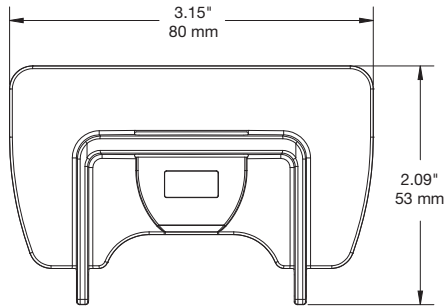


L440 Door Brace Kit (PL920-01):



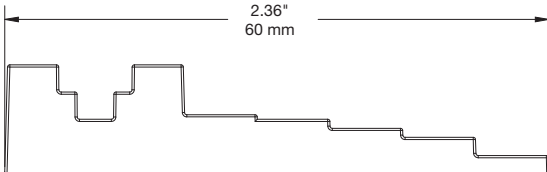
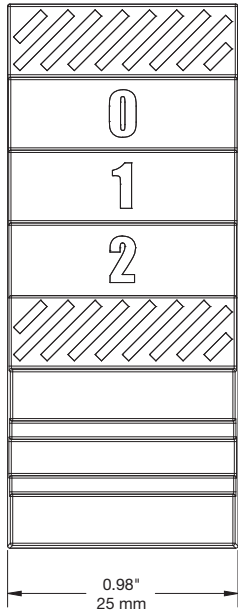
## SPECIFICATIONS

L440 Glass Mounting Kit (PL920-2):



**SPECIFICATIONS**

L440 Sizing Tool (PL952):



## PRODUCT ORDERING

ORDER CODE	DESCRIPTION	NOTES
PL901	L440	
PL920-01	L440 Door Brace Kit	
PL920-2	L440 Glass Mounting Kit	
PL942	L440 Replacement Adhesive Kit	
PL943	L440 Glass Mount Adhesive Replacement	
PL952	L440 Sizing Tool	

[invue.com](http://invue.com)

©2017 InVue Security Products. No endorsement of InVue products has been made by any of the manufacturers of the products shown. Product is sold pursuant to InVue's warranty which can be found at [www.invue.com/warranty](http://www.invue.com/warranty).

**THE AMERICAS** 704.752.6513 • 888.55.INVUE  
**EUROPE, MIDDLE EAST & AFRICA** +31.23.8900150  
**ASIA PACIFIC** +852.3127.6811

