

Stop thieves, not customers.

A push button dispenser with time delay that is simple for customers and stops thieves.



InVue's T1000 is the only self service fixture in the market that increases sales while preventing theft. Intuitive dispensing helps you sell more merchandise with no associate assistance. The easy to use push button creates the best customer

experience, and the time-delayed release prevents sweeping theft. T1000 is a single position dispenser. Rather than committing to an expensive shelf segment, the small footprint maximizes display space.



FEATURES AND BENEFITS

- 1 Simple push of a button dispenses one package
- 2 Time delay of 5 seconds between dispenses deters thieves
- 3 Individual merchandise positions increases anti-sweep security
- 4 Integrated price tag for a simple and clean display



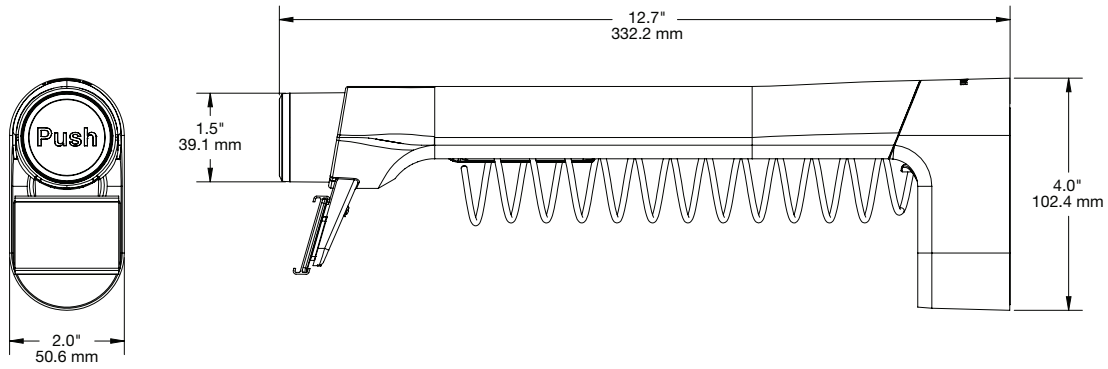
FEATURES AND BENEFITS (continued)

- 1 Merchandising space gives customers an intuitive way to replace unwanted merchandise, meaning merchandise stays off the floor
- 2 Interchangeable coils let you maximize merchandising space for different sized packaging
- 3 Interchangeable rods allow you to leverage the same dispenser on multiple displays (ie: pegboard, slatwalls and mounting bars)
- 4 No proprietary key necessary for installation

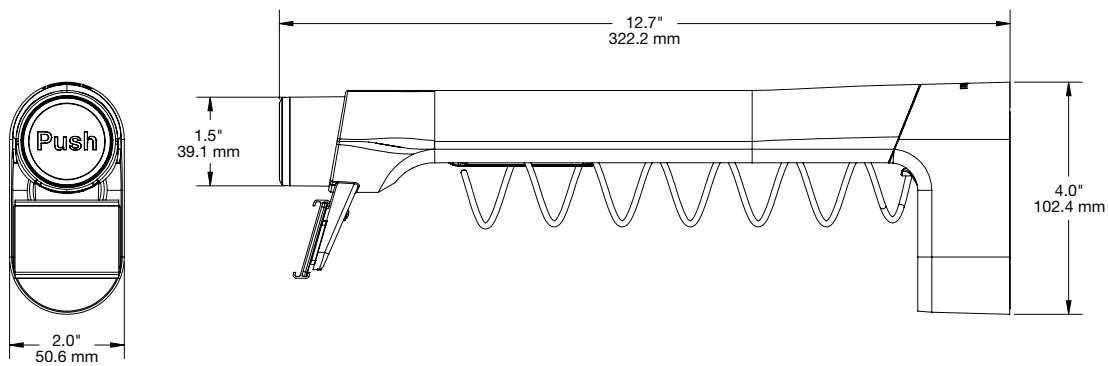


SPECIFICATIONS

T1000 Dispenser, Price Tag Down, 12" 15mm Coil (T1040):

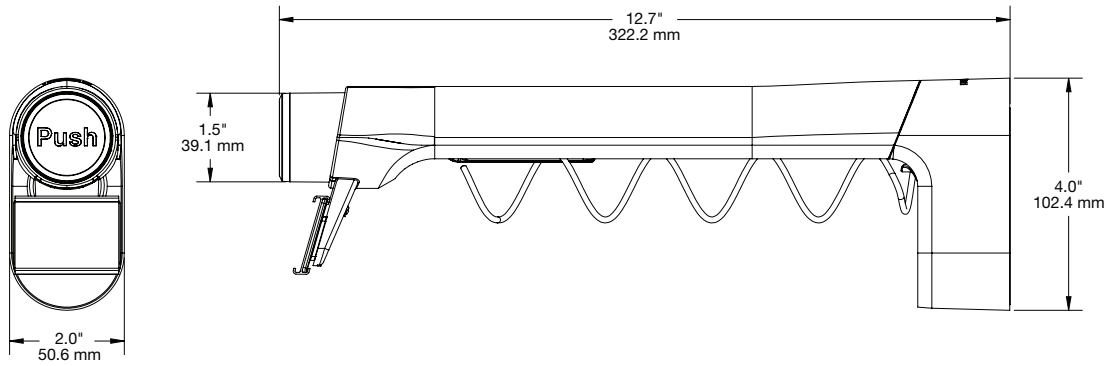


T1000 Dispenser, Price Tag Down, 12" 30mm Coil (T1041):

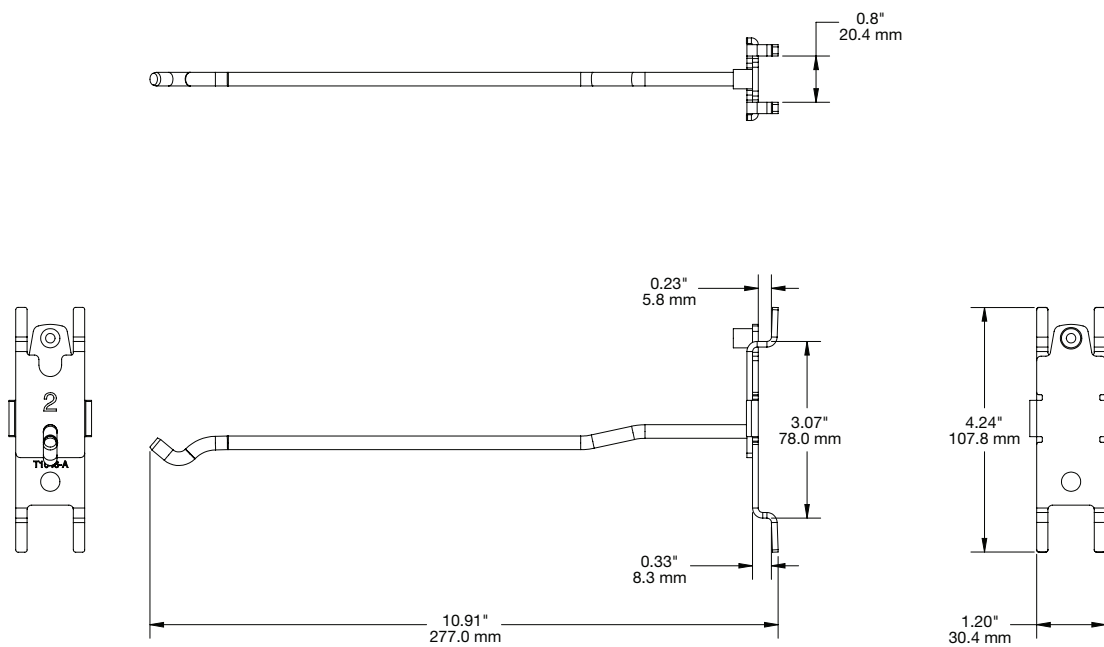


SPECIFICATIONS

T1000 Dispenser, Price Tag Down, 12" 50mm Coil (T1042):



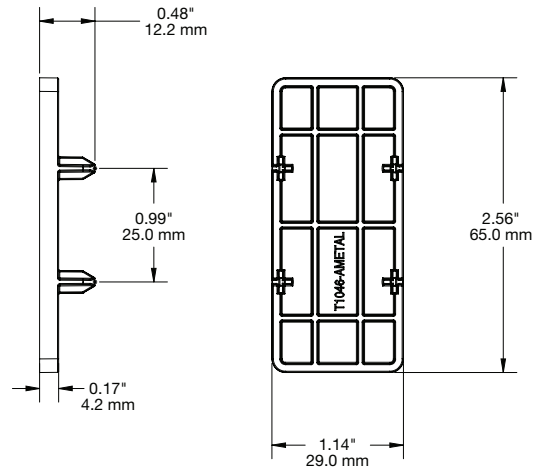
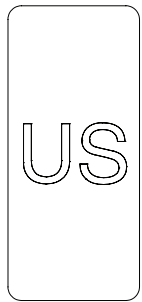
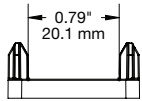
T1000 Rod 12" American Pegboard (T1046-A):



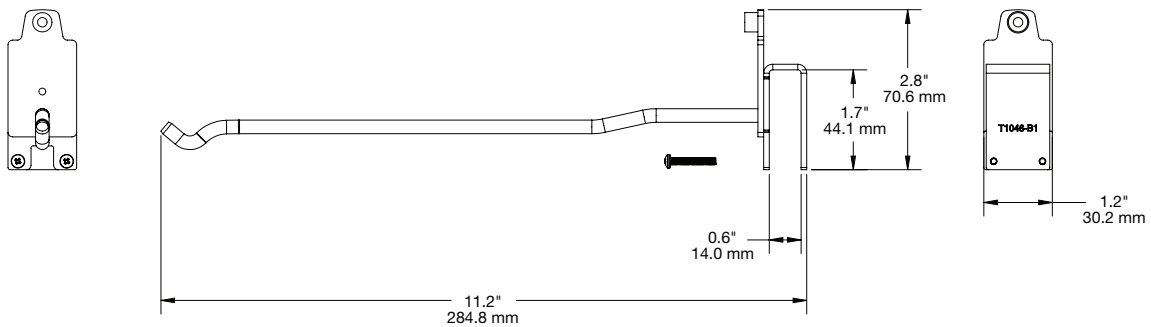
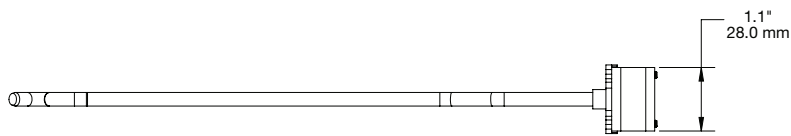
T1000

SPECIFICATIONS

T1000 Rod American Pegboard Metal Spacer (T1046-AMETAL):

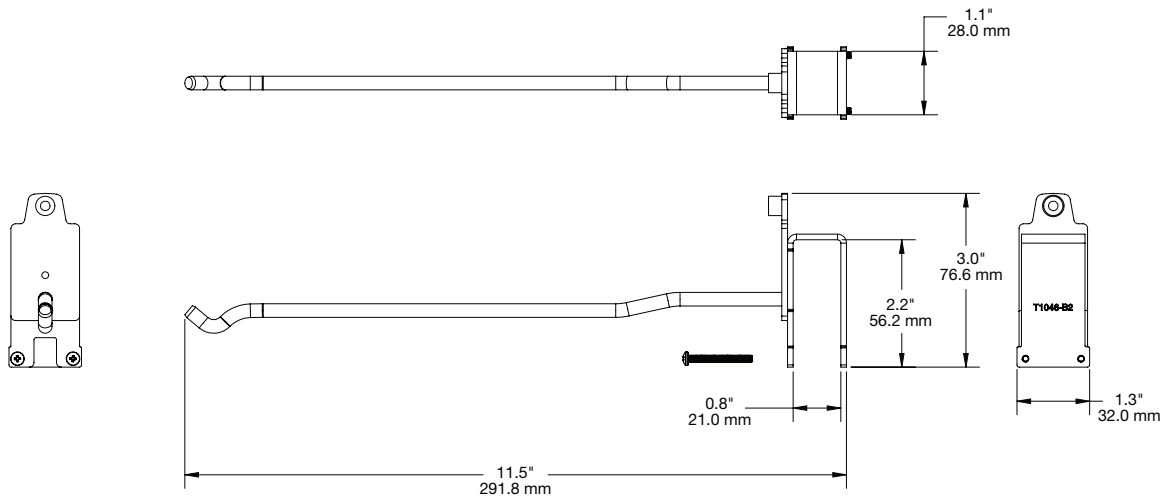


T1000 Rod 12" Hangbar 37mm x 13mm (T1046-B1):

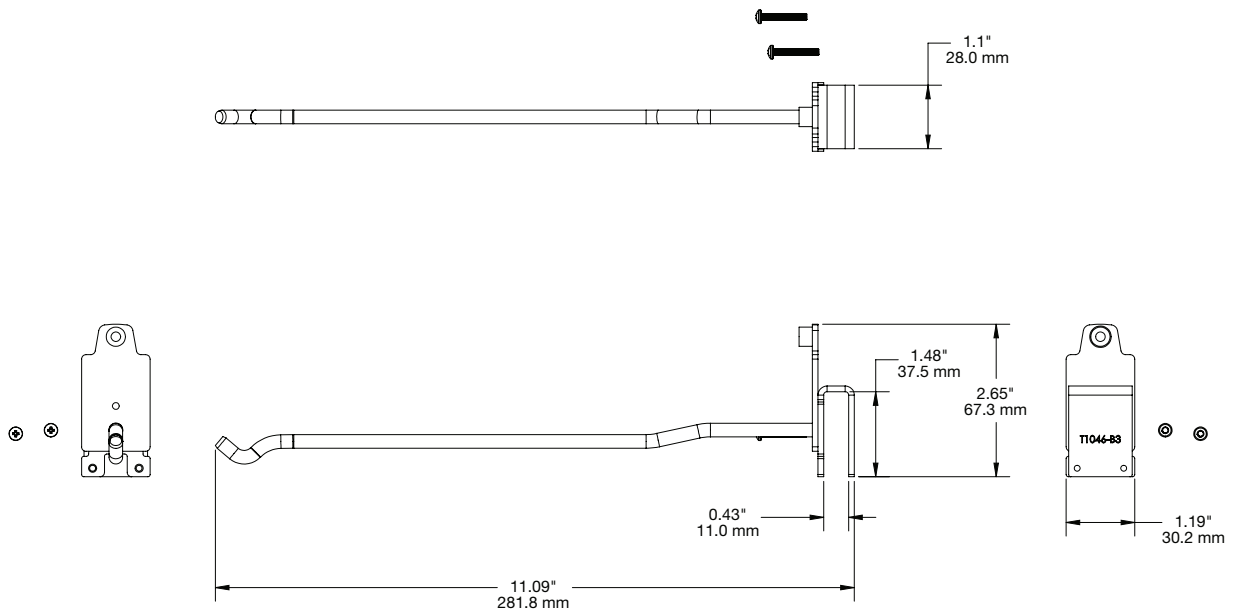


SPECIFICATIONS

T1000 Rod 12" Hangbar 50mm x 20mm (T1046-B2):

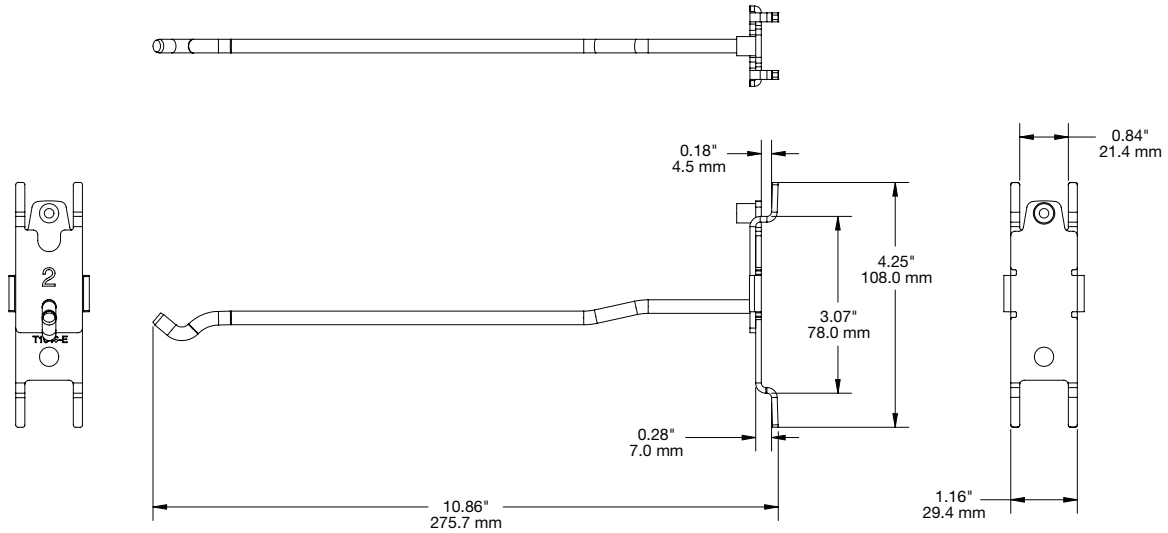


T1000 Rod 12" Hangbar 30mm x 10mm (T1046-B3):

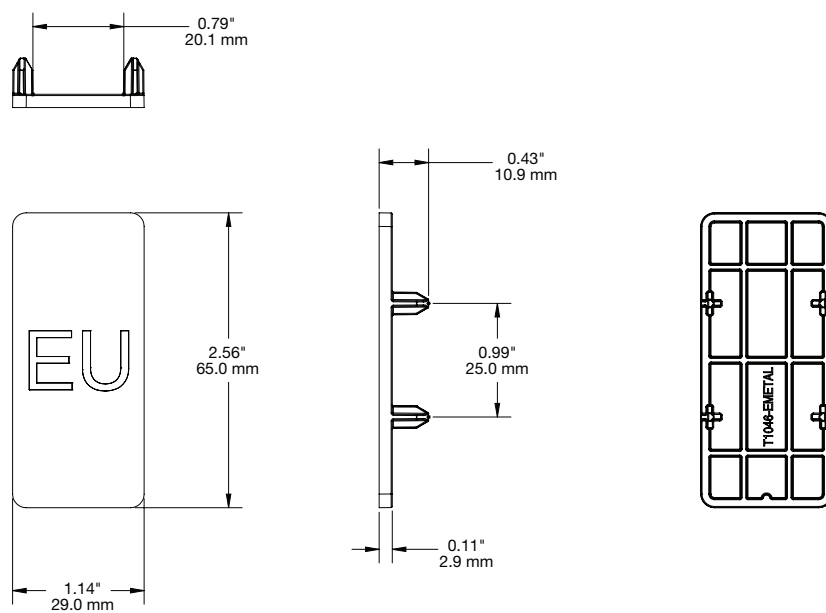


SPECIFICATIONS

T1000 Rod 12" European Pegboard (T1046-E):

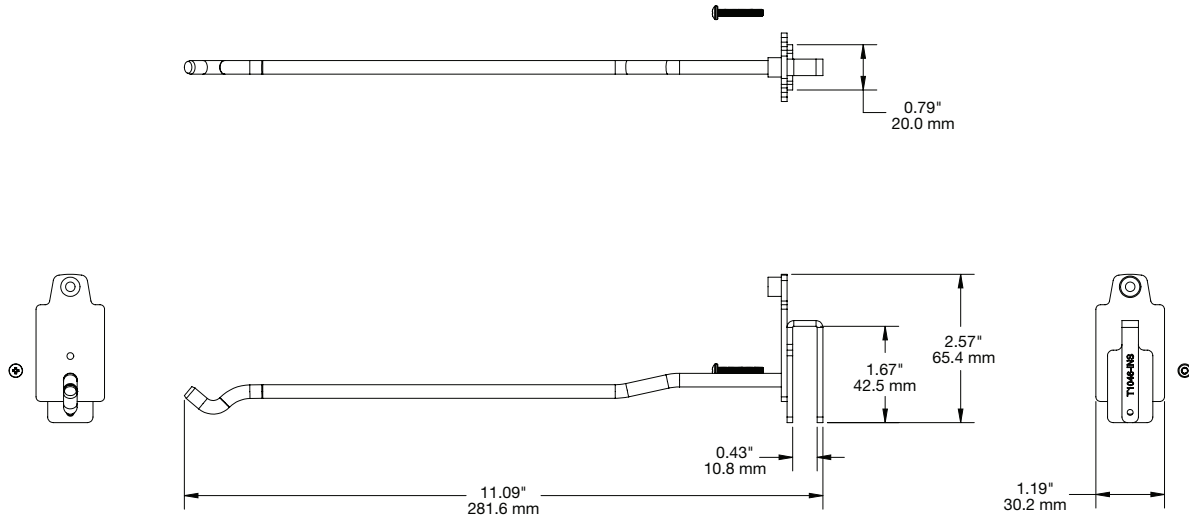


T1000 Rod European Pegboard Metal Spacer (T1046-EMETAL):

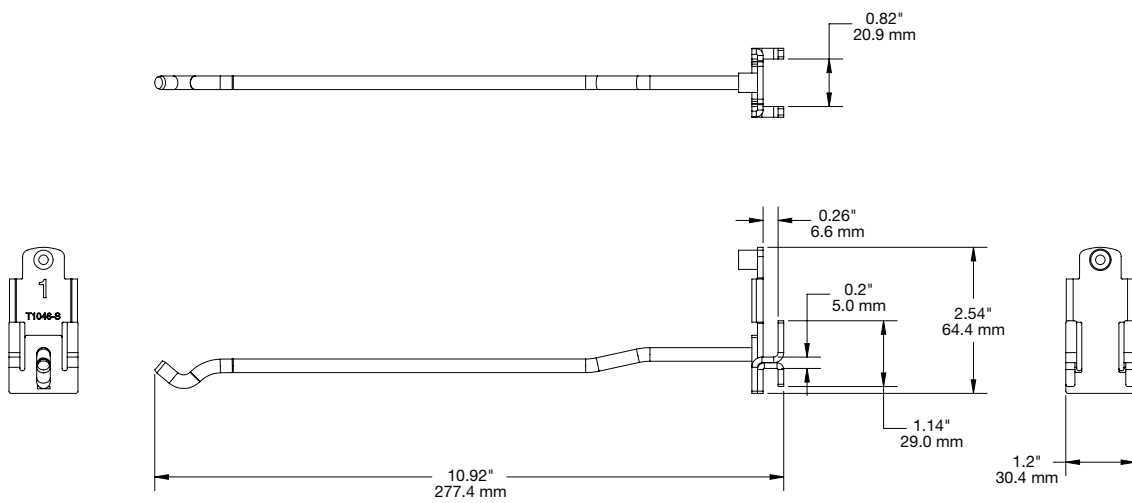


SPECIFICATIONS

T1000 Rod 12" Hangbar with Insert (T1046-INS):

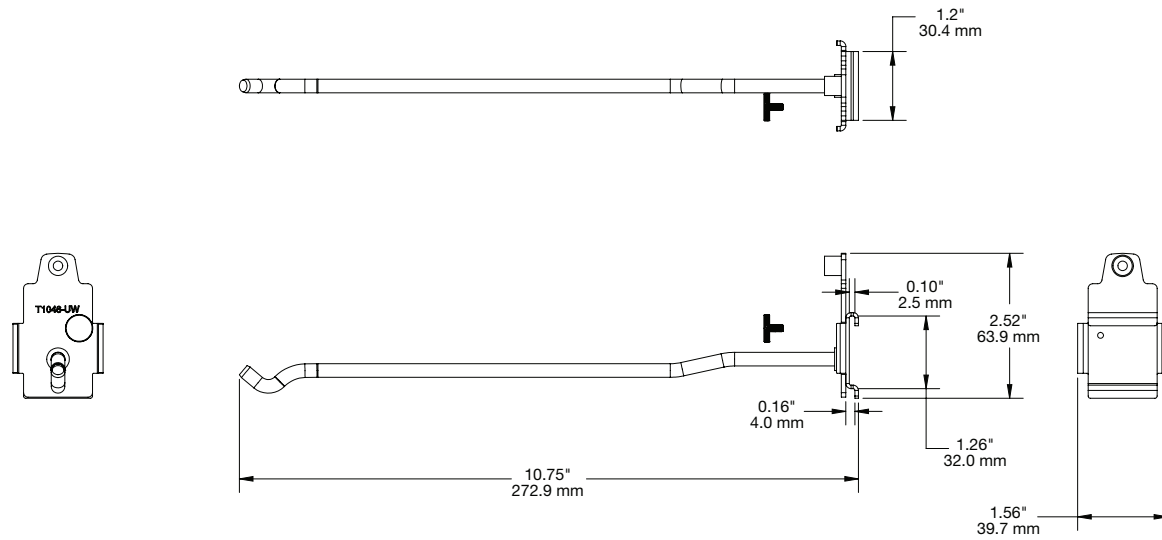


T1000 Rod 12" Slatwall (T1046-S):

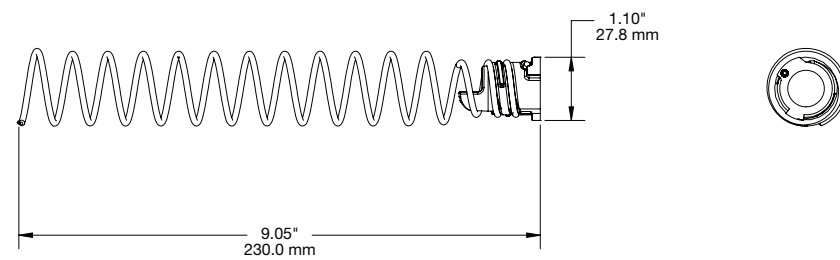


SPECIFICATIONS

T1000 Rod 12" Uni-Web Slatwall (T1046-UW):

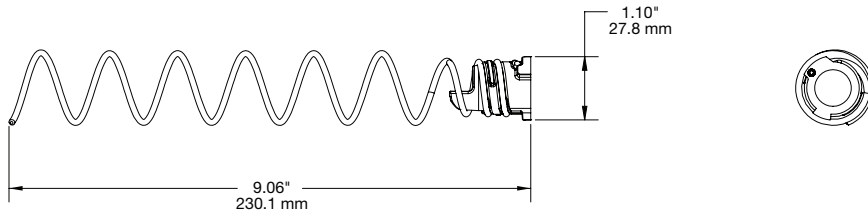


T1000 Interchangable 12" 15mm Coil (T1047):

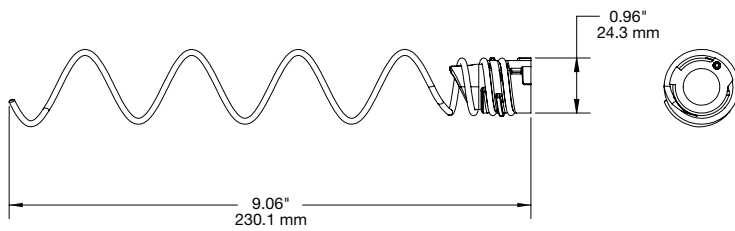


SPECIFICATIONS

T1000 Interchangeable 12" 30mm Coil (T1048):



T1000 Interchangeable 12" 50mm Coil (T1049):



PRODUCT ORDERING

ORDER CODE	DESCRIPTION	NOTES
DISPENSERS		
T1040	T1000 Dispenser, Price Tag Down, 12" 15mm Coil	<ul style="list-style-type: none"> › Includes dispenser and T1047 coil › Rod required › For packaging up to 15mm thick
T1041	T1000 Dispenser, Price Tag Down, 12" 30mm Coil	<ul style="list-style-type: none"> › Includes dispenser and T1048 coil › Rod required › For packaging up to 30mm thick
T1042	T1000 Dispenser, Price Tag Down, 12" 50mm Coil	<ul style="list-style-type: none"> › Includes dispenser and T1049 coil › Rod required › For packaging up to 50mm thick
RODS		
T1046-A	T1000 Rod 12" American Pegboard	
T1046-AMETAL	T1000 Rod American Pegboard Metal Spacer	› For use with metal American pegboard
T1046-B1	T1000 Rod 12" Hangbar 37mm x 13mm	
T1046-B2	T1000 Rod 12" Hangbar 50mm x 20mm	
T1046-B3	T1000 Rod 12" Hangbar 30mm x 10mm	
T1046-E	T1000 Rod 12" European Pegboard	
T1046-EMETAL	T1000 Rod European Pegboard Metal Spacer	› For use with metal European pegboard
T1046-INS	T1000 Rod 12" Hangbar with Insert	
T1046-S	T1000 Rod 12" Slatwall	
T1046-UW	T1000 Rod 12" Uni-Web Slatwall	
COILS		
T1047	T1000 Interchangable 12" 15mm Coil	<ul style="list-style-type: none"> › 6 pack › For packaging up to 15mm thick
T1048	T1000 Interchangable 12" 30mm Coil	<ul style="list-style-type: none"> › 6 pack › For packaging up to 30mm thick
T1049	T1000 Interchangable 12" 50mm Coil	<ul style="list-style-type: none"> › 6 pack › For packaging up to 50mm thick

invue.com

©2017 InVue Security Products. No endorsement of InVue products has been made by any of the manufacturers of the products shown. Product is sold pursuant to InVue's warranty which can be found at www.invue.com/warranty.

THE AMERICAS 704.752.6513 • 888.55.INVUE
EUROPE, MIDDLE EAST & AFRICA +31.23.8900150
ASIA PACIFIC +852.3127.6811

