

Hard to beat security and price.



The HS80 combines high theft merchandise security and superior value to deliver an optimal high theft solution. HS80 features a hardened steel design, ensuring tough resistance to defeat.

Integrated into the design are fully adjustable brackets allowing the same stand to secure a smartphone or a tablet, saving you time and money during remerchandising.



FEATURES AND BENEFITS

- 1 Interchangeable and adjustable brackets allow one stand to be used with any smartphone or a tablet
- 2 Steel base provides a sturdy anchor to the table
- 3 Proprietary screws keep thieves from using small tools to defeat
- 4 Uses OEM charging cord, reducing solution cost
 - › The base's head allows customer to rotate device to portrait or landscape orientation
 - › Optional alarming Zips 2.0 mini sensor provides added security



IR ECOSYSTEM™

HS80 can be upgraded to be a part of the exclusive InVue IR Ecosystem™, a storewide single key solution that improves customer service, increases sales and provides high theft protection.

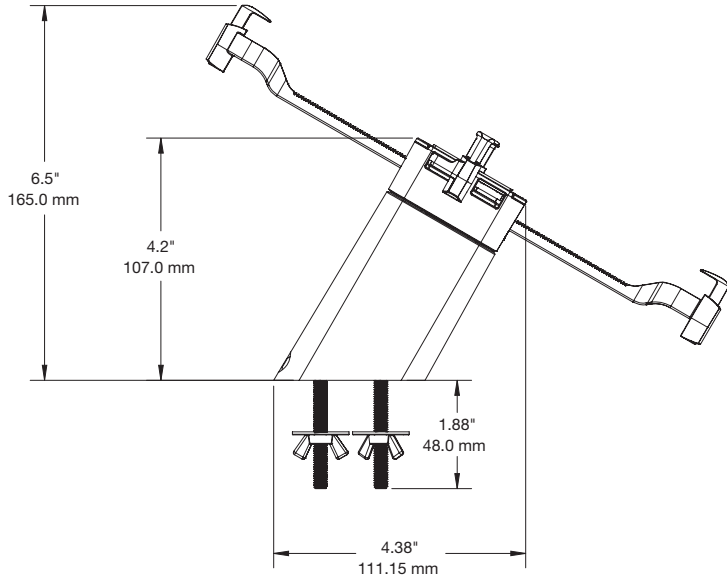


- Handheld Electronics
- Electronic Accessories
- Secure Fixtures
- Package Protection
- Locked Cabinets
- Commercial Solutions

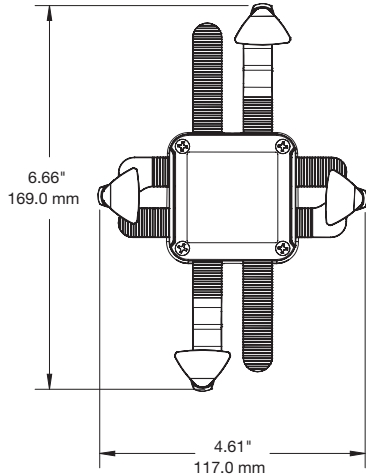


SPECIFICATIONS

HS80 Lockdown Angled Stand (HS80-W):

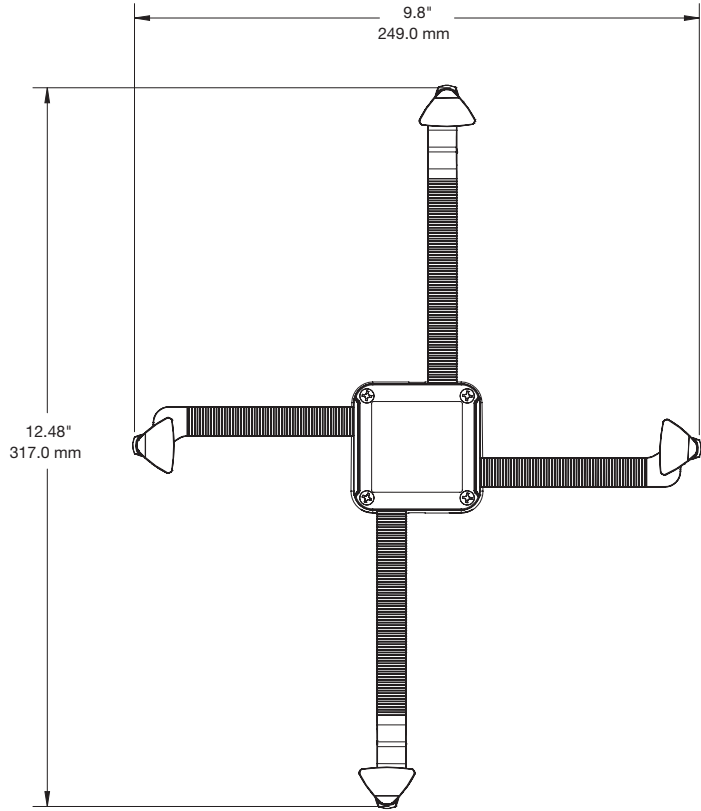


HS80 Handheld Arms Set (HS85-B):



SPECIFICATIONS

HS80 Tablet Arms Set (HS86-B):



PRODUCT ORDERING

ORDER CODE	DESCRIPTION	CARTON QTY.
HS80-W	HS80 Lockdown Angled Stand - White	20
HS85-B	HS80 Handheld Arms Set - Black	32
HS86-B	HS80 Tablet Arms Set - Black	32
HS87-W	HS80 Cradle Mount for Alarming Zips 2.0 Mini Sensor - White	48

invue.com

©2016 InVue Security Products. No endorsement of InVue products has been made by any of the manufacturers of the products shown. Product is sold pursuant to InVue's warranty which can be found at www.invue.com/warranty.

THE AMERICAS 704.752.6513 • 888.55.INVUE

EUROPE, MIDDLE EAST & AFRICA +31.23.8900150

ASIA PACIFIC +852.3127.6811

