

Ultimate protection.

Secure enclosure for high value accessories.



IR Safers provide a secure enclosure for high value accessories that can be easily concealed. Designed for shelved merchandise and peg hooks, IR Safers clearly display merchandise and the product marketing message while protecting the merchandise inside with a lock that cannot be defeated. The integrated hang tab cannot be removed, making it ultra-secure when combined with an InVue locking hook. IR Safers are a part of InVue's exclusive IR Ecosystem™, the only storewide single key security system that protects high theft merchandise.



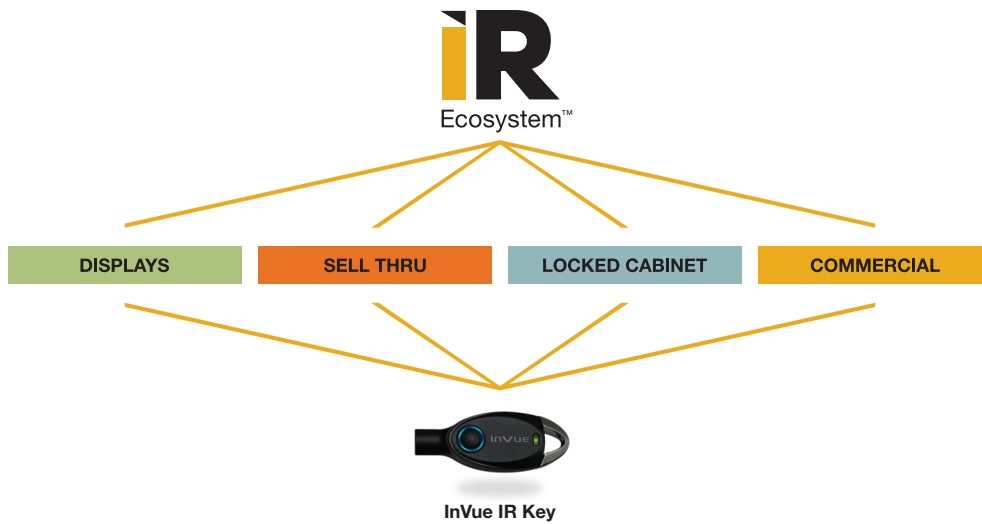
FEATURES AND BENEFITS

- 1 IR2 Key compatibility for fast access to merchandise to better serve the consumer
- 2 IR locking system provides superior security versus traditional magnetic or mechanical locks
- 3 IR2 Key times out after 12 hours, making a lost or stolen key useless
- 4 Designed to fit and protect today's high value accessories
- 5 Integrated hang tab cannot be removed making it highly secure when combined with an InVue locking hook – both flip tab and swivel tab available
- 6 Alarms EAS towers for either AM or RF



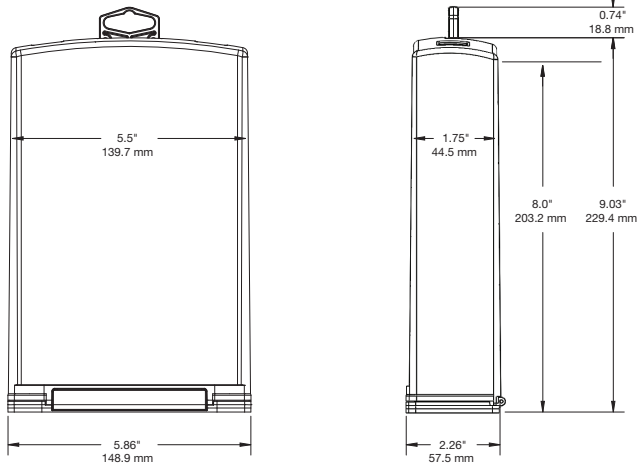
IR ECOSYSTEM™

A storewide single key security system for all your high theft merchandise. One key and four categories of tough security products provide you multiple, store-wide security solutions. The IR Ecosystem™ allows you to safely open display, and access, your high theft merchandise and ensures that store associates always have the right key at the right time.

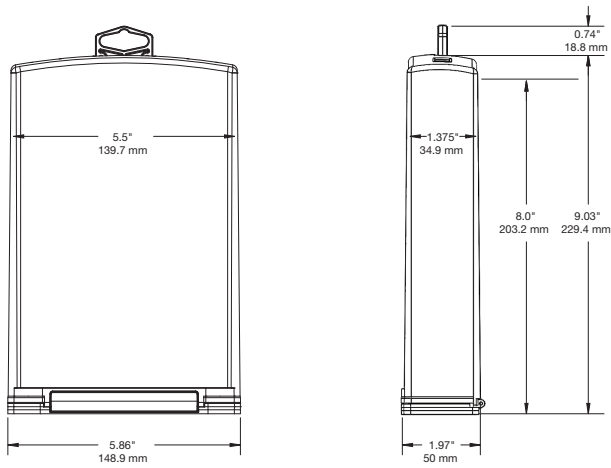


SPECIFICATIONS

IR Safer (NB1):

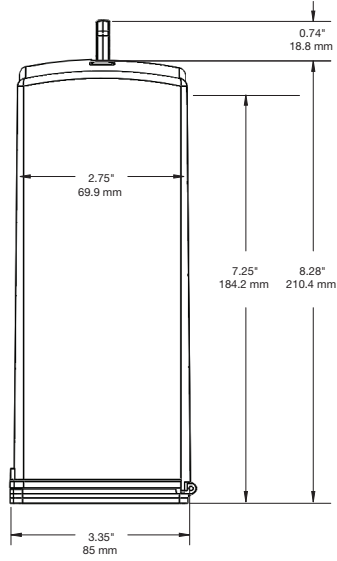
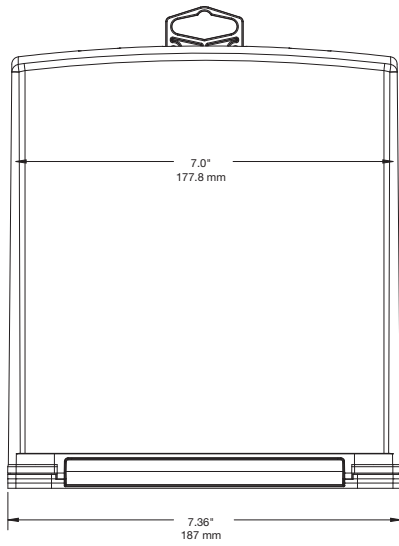


IR Safer (NB2):

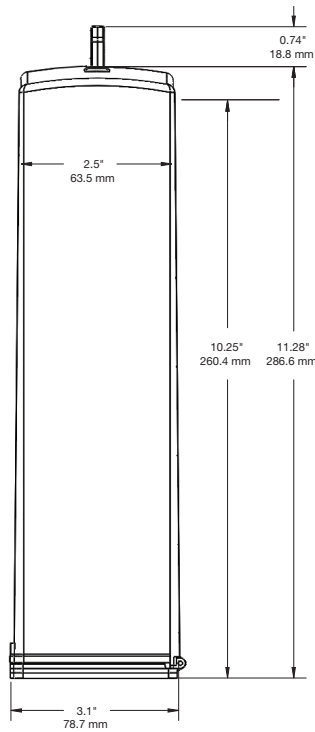
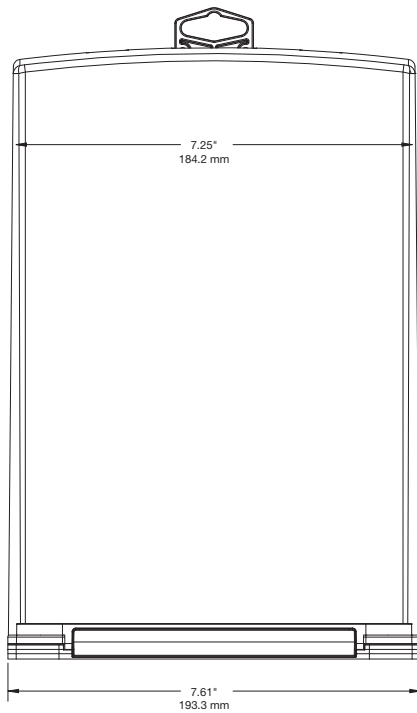


SPECIFICATIONS

IR Safer (NB3):



IR Safer (NB4):



PRODUCT ORDERING

ORDER CODE	DESCRIPTION	DIMENSIONS – INTERNAL	CARTON QTY.
NB1	IR Safer	8"H x 5.5"W x 1.75"D	12
NB1-S	IR Safer - Swivel Tab	8"H x 5.5"W x 1.75"D	12
NB2	IR Safer	8"H x 5.5"W x 1.375"D	12
NB2-S	IR Safer - Swivel Tab	8"H x 5.5"W x 1.375"D	12
NB3	IR Safer	7.25"H x 7"W x 2.75"D	12
NB3	IR Safer - Swivel Tab	7.25"H x 7"W x 2.75"D	12
NB4	IR Safer	10.25"h x 7.25"W x 2.5"D	12
NB4-S	IR Safer - Swivel Tab	10.25"h x 7.25"W x 2.5"D	12

©2015 InVue Security Products. No endorsement of InVue products has been made by any of the manufacturers of the products shown. Product is sold pursuant to InVue's warranty which can be found at www.invue.com/warranty.

NA / LATAM OFFICE *North Carolina* 704.752.6513 • 888.55.INVUE

EMEA OFFICE *The Netherlands* +31.23.8900150

APAC OFFICE *Hong Kong* +852.3127.6811

