

Authentic experience in a powered, secured display.



Series 2865 is a flexible, multi-position security system that allows retailers to secure multiple electronics and accessories on a single fixture or display. Designed for single applications, mixed-use tables and branded ecosystems, the S2865 is a modular, smart voltage regulation system with

multi-voltage power boxes and a full portfolio of sensors that can be configured to accommodate different needs. The Ultra Low Profile sensors and low pull recoiler deliver a great consumer experience in a clean, modern design ensuring the product is the hero.



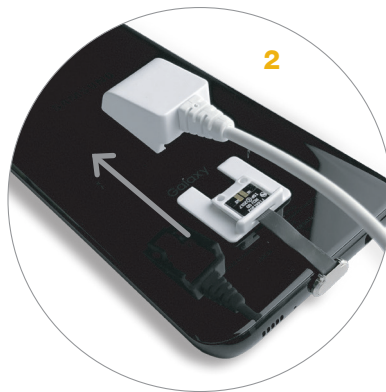
FEATURES AND BENEFITS

- › Designed for branded ecosystems, mixed-use displays and product category-specific displays with a single alarm and power architecture
- › Ultra Low Profile sensor makes the product the hero and delivers a great consumer experience
- › Quick Release sensor for quick, inexpensive re-merchandising
- › Enhanced system flexibility by easily adding or removing above counter assets to protect any device
- › ‘Intelligent power management,’ compatible with USB PD 2.0 dynamically scales voltage and current to match the exact needs of the product on display
- › One Alarm Unit can be connected to up to six power / alarming boxes which is a true 1:many solution allowing up to 24 powered and 24 alarming only positions or 48 alarming only positions
- › Under counter architecture is future-proof and is easily remerchandised for the addition of new products
- › Multiple, different alarm tones created to alert you when more than one position is alarming
- › 105-110 dB alarm is loud enough for noisy environments
- › 1:many alarming only solution is compatible with all Zips and power aux port sensors
- › Supports InVue’s Access Manager to protect against internal theft.
- › InVue Insight ready for future expansion



FEATURES AND BENEFITS: ULTRA LOW PROFILE SENSOR

- 1 Ultra Low Profile Type C and micro USB AP connectors and small medallion for enhanced aesthetic and experience
- 2 Innovative Quick Release sensor-level disconnect for ease of remerchandising using InVue Key
- 3 Sensor modules seamlessly integrate into display stands and brand POSM modules
- 4 LED located in stand for power and armed indication
- 5 Stand mounts to fixture with recoiler mounted below counter (for applicable table fixtures)
- 6 Up to 45 watt USB PD power capable



FEATURES AND BENEFITS: BELOW-FIXTURE COMPONENTS

- 1 Alarm Unit can be connected to up to 6 power/ alarming boxes supporting up to 24 positions
- 2 Large power box powers and secures 4 devices and 4 accessories
- 3 Fully compatible with all 2800 sensors
- 4 Compatible with InVue Access Manager
- 5 New alarm and power accessory box for a more cost effective security solution for accessories



FEATURES AND BENEFITS

- 1 Perfect Placement® ensures merchandise is always displayed properly
- 2 Layered security with adjustable brackets for handhelds and tablets
- 3 Supports Apple devices with lightning sensors
- 4 Cost-effective solution for multi-position tablet displays
- 5 Fully compatible with Series 2865 under table components



IR ECOSYSTEM™

Series 2865 is part of the exclusive InVue IR Ecosystem™, a storewide single key solution that improves customer service, increases sales and provides high theft protection.

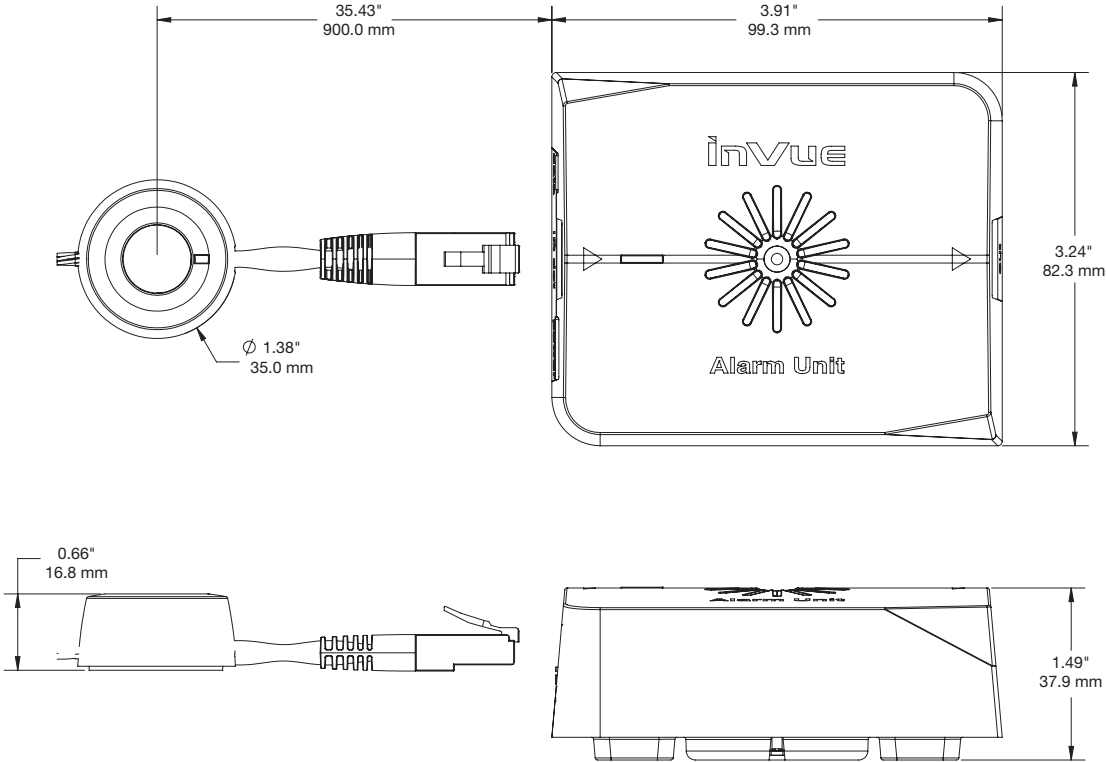


IR ECOSYSTEM



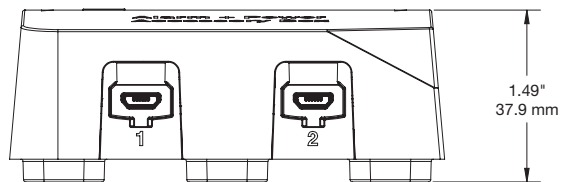
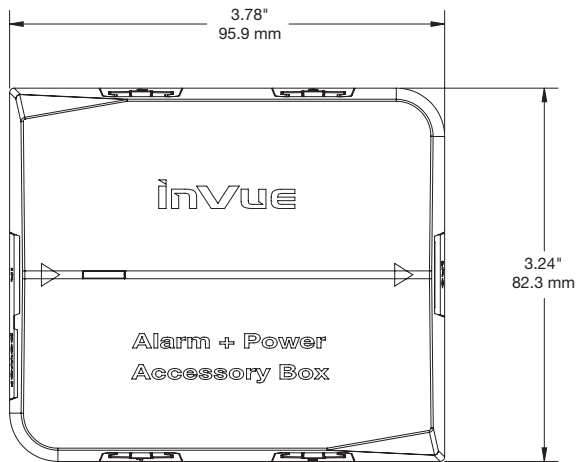
SPECIFICATIONS

Alarm Unit Box (DKGU01-B / DKGU02-B):



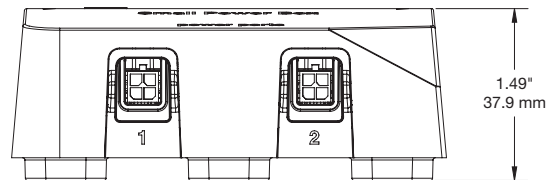
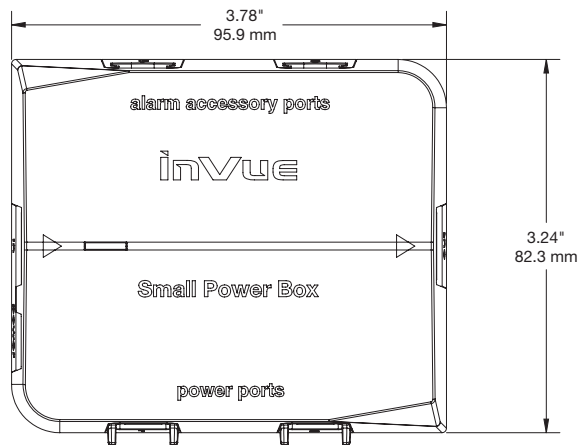
SPECIFICATIONS

Alarm + Power Accessory Box 4-port (DKPW04-B):



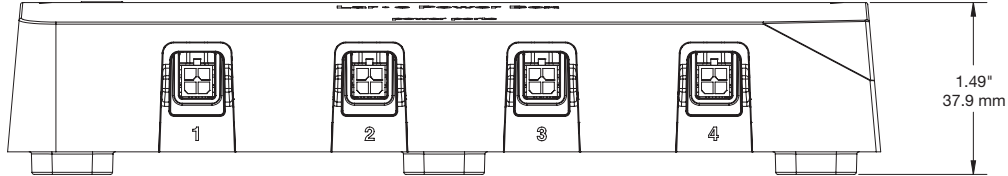
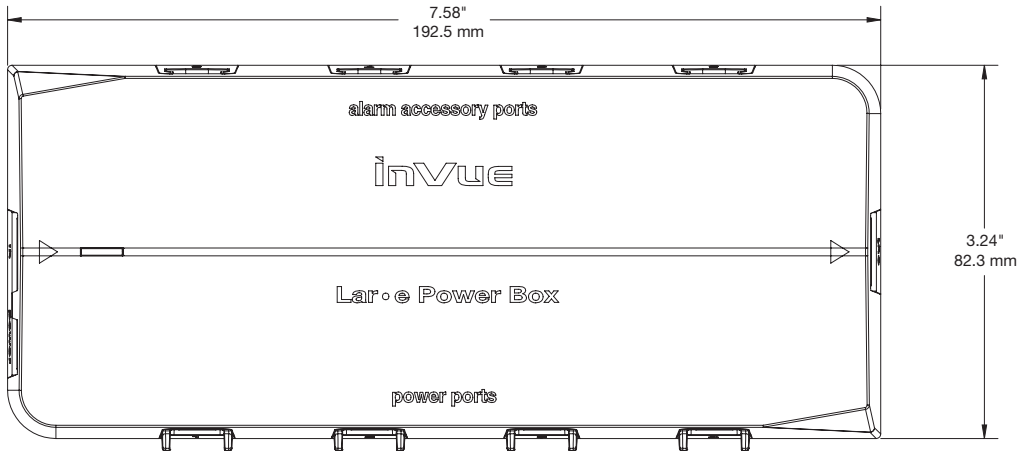
SPECIFICATIONS

Small Power Box 2-port (DKPB02-B):



SPECIFICATIONS

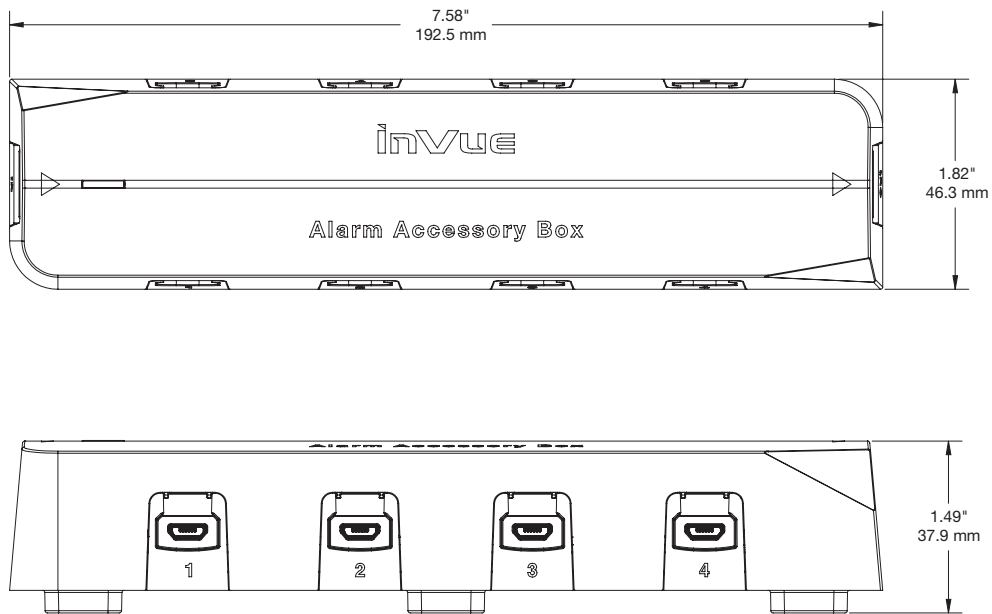
Large Power Box 4-port (DKPB04-B):



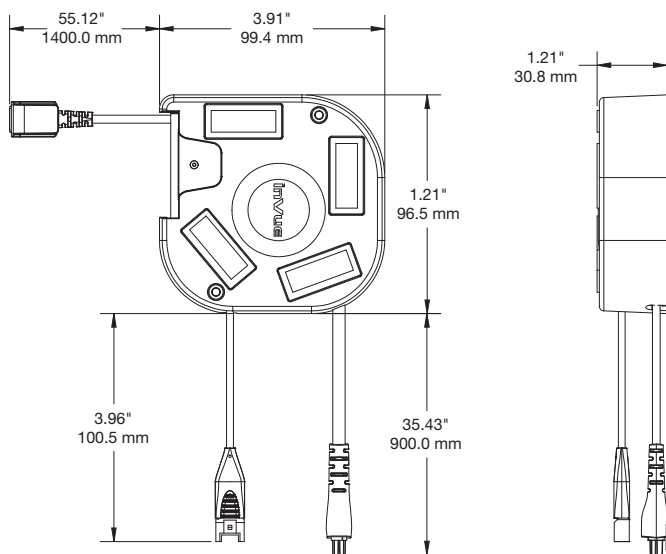
Series 2865

SPECIFICATIONS

Alarm Accessory Box 8-port (DKPX08-B):



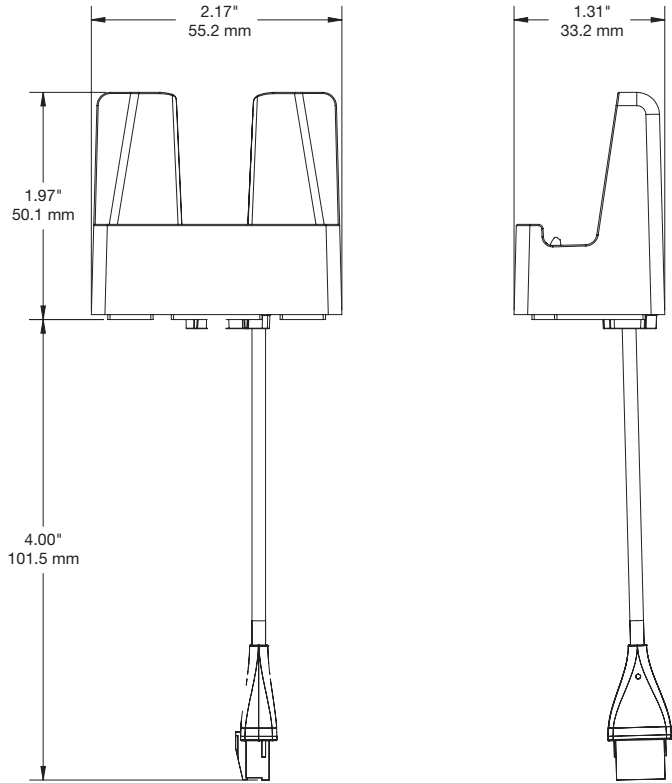
S2865 Recoiler (DKDQ300):



Series 2865

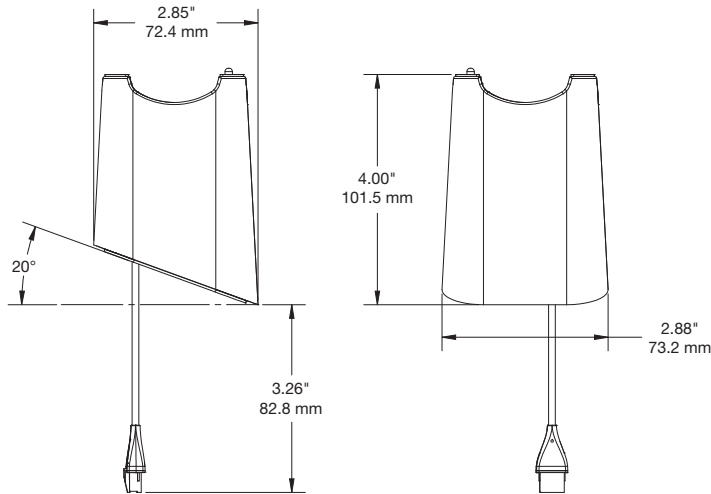
SPECIFICATIONS

S2865 Handheld Stand (DKHS100):



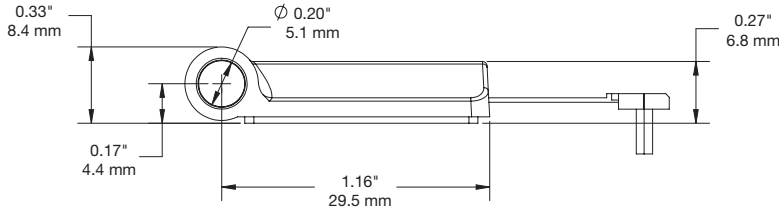
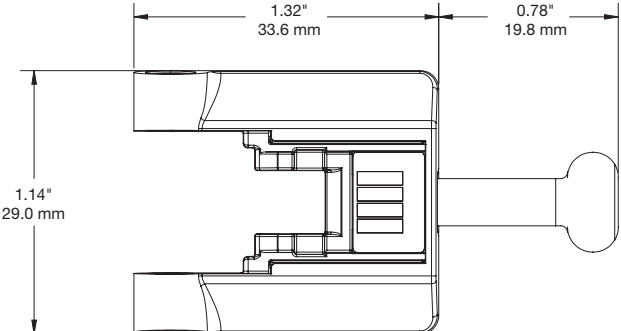
SPECIFICATIONS

S2865 Tablet Stand DKTS100):



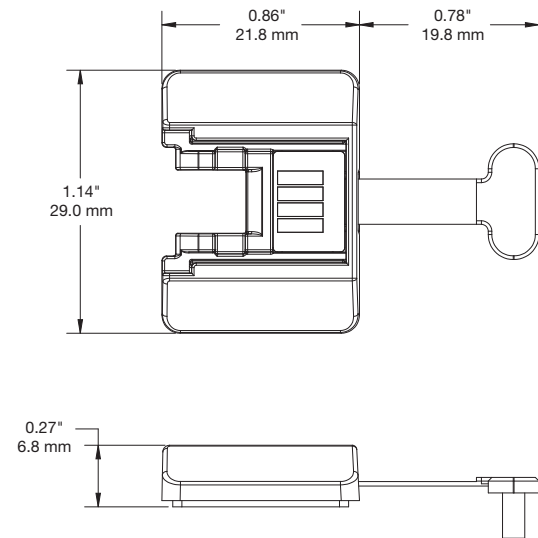
SPECIFICATIONS

S2865 ULP Sensor Micro USB with Arm Slot (DKHR200) &
S2865 ULP Sensor USB Type C with Arm Slot (DKHR201):

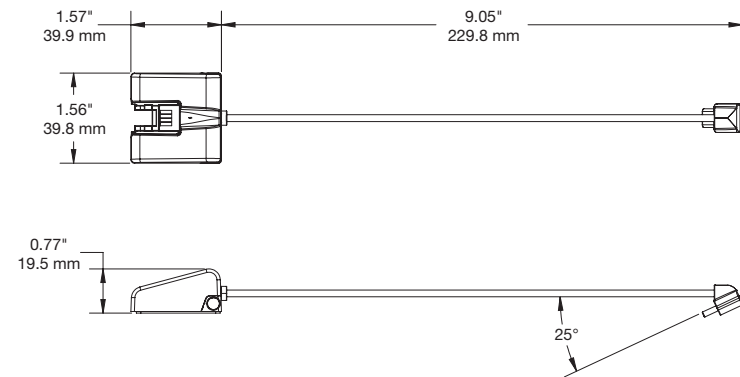


SPECIFICATIONS

S2865 ULP Sensor USB Type C (DKHR203):

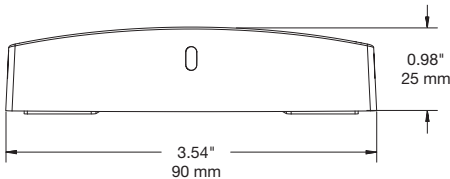
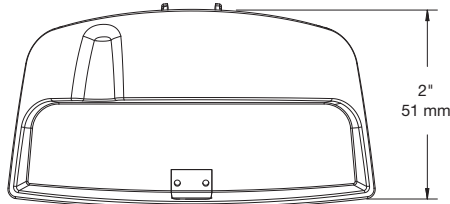


S2865 PD Tablet Sensor USB Type C (DKTR201):

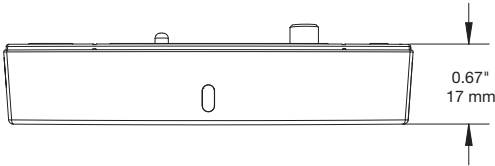
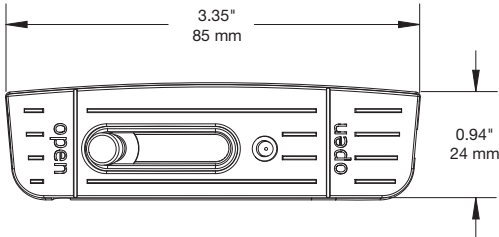


SPECIFICATIONS

S2800 Camera Stand (DNCS00):

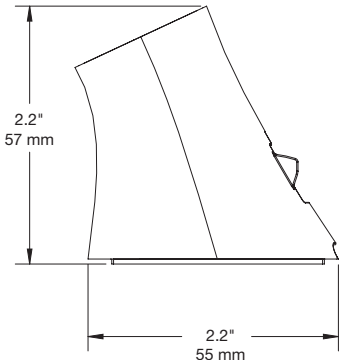


S2800 Camera Sensor (DNCR00):

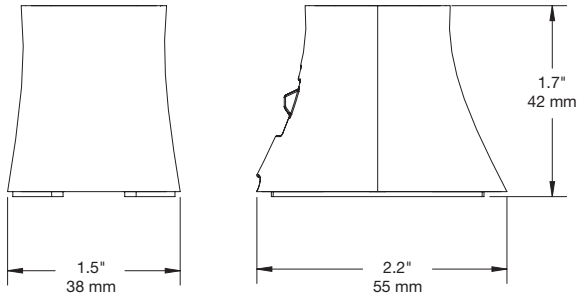


SPECIFICATIONS

S2800 Handheld and Tablet Angled Stand (DNDS11):

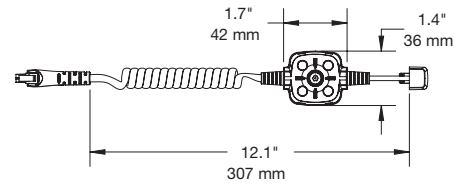
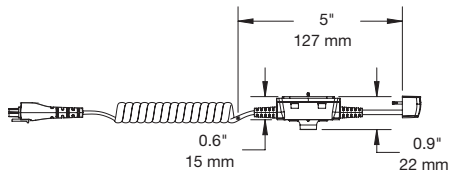


S2800 Handheld and Tablet Flat Stand (DNDS22):

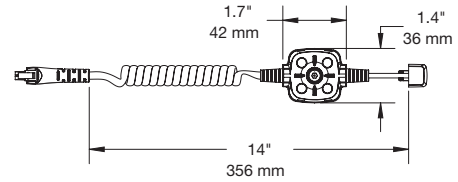
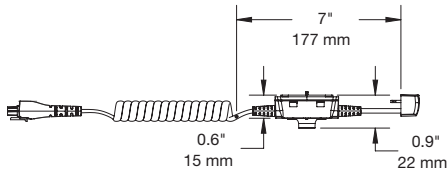


SPECIFICATIONS

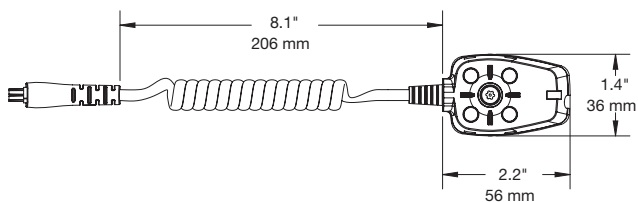
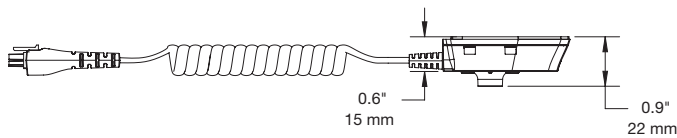
S2800 Handheld Lightning Sensor (DNHR13):



S2800 Tablet Lightning Sensor (DNTR13):

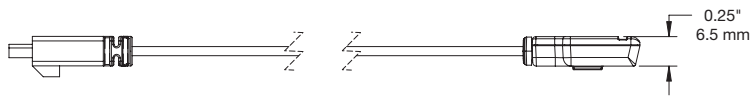
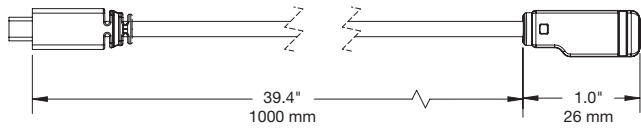


S2800 Universal Tablet Sensor (DNTR14):



SPECIFICATIONS

S2800 Digital Signage Trigger (DNGY11):



PRODUCT ORDERING

ORDER CODE	DESCRIPTION
S2865 SENSORS	
DKHR200-W DKHR200-B	S2865 ULP Sensor Micro USB w/ Arm Slot - White S2865 ULP Sensor Micro USB w/ Arm Slot - Black
DKHR201-W DKHR201-B	S2865 ULP Sensor USB Type C w/ Arm Slot- White S2865 ULP Sensor USB Type C w/ Arm Slot - Black
DKHR202-W DKHR202-B	S2865 HH Lightning Sensor - White S2865 HH Lightning Sensor - Black
DKHR203-W DKTR203-W	S2865 ULP Sensor USB Type C - White S2865 ULP Tablet Sensor Micro USB - White
DKTR204-W	S2865 ULP Tablet Sensor USB Type C - White
DKTR201-W DKTR201-B	S2865 PD Tablet Sensor USB Type C - White S2865 PD Tablet Sensor USB Type C - Black
DKTR200-B	S2865 PD Tablet Sensor Micro USB - Black
DKTR202-W DKTR202-B	S2865 Tablet Lightning Sensor - White S2865 Tablet Lightning Sensor - Black
S2865 STANDS	
DKHS100-W DKHS100-B	S2865 HH Stand - Gold LED - White S2865 HH Stand - Gold LED - Black
DKHS101-W	S2865 HH Stand - Blue LED - White
DKTS100-W DKTS100-B	S2865 Tablet Stand - Gold LED - White S2865 Tablet Stand - Gold LED - Black
DKTS101-W	S2865 Tablet Stand - Blue LED - White
DKDQ300	S2865 Recoiler
S2865 ALARM UNITS & POWER BOXES	
DKGU01-B	S2865 Alarm Unit Box IR Gold LED - White
DKGU02-B	S2865 Alarm Unit Box IR Blue LED - White
DKPW04-B	S2865 Alarm + Power Accessory Box 4-port - Black
DKPB02-B	S2865 Small Power Box 2-port - Black
DKPB04-B	S2865 Large Power Box 4-port - Black
DKPX08-B	S2865 Alarm Accessory Box 8-port - Black

*Black sensors and stand are build to order (BTO) and subject to minimum order quantities



PRODUCT ORDERING

ORDER CODE	DESCRIPTION
S2800 SENSORS	
DNCR00W DNCR00B	S2800 Camera Sensor - White S2800 Camera Sensor - Black
DNCR01W DNCR01B	S2800 Camera DSLR Sensor - White S2800 Camera DSLR Sensor - Black
DNLR00W DNLR00B	S2800 Sensor USB-A - White S2800 Sensor USB-A - Black
DNLR01W DNLR01B	S2800 Bar Sensor - White S2800 Bar Sensor - Black
DNGR11W DNGR11B	S2800 Flex Sensor - White S2800 Flex Sensor - Black
DNL203-W DNL203-B	S2800 Laptop/Tablet Power Injected Type C Sensor - White S2800 Laptop/Tablet Power Injected Type C Sensor - Black
DNHR13W	S2800 Handheld Exposed Sensor Bracket Slot Apple Lightning - White
DNTR13W	S2800 Tablet Exposed Sensor Bracket Slot Apple Lightning - White
DNTR14W DNTR14B	S2800 Tablet Sensor w/ Power Port - White S2800 Tablet Sensor Micro USB - Black
DNAR35W	Samsung VR4 Sensor/Stand
DNH216W	Low Profile Type C 3A Sensor
S2800 STANDS	
DNCS00W DNCS00B	S2800 Camera Stand - White S2800 Camera Stand - Black
DNDS11W DNDS11B	S2800 Tablet and Handheld Stand Angled Stand - Perfect Placement - White S2800 Tablet and Handheld Stand Angled Stand - Perfect Placement - Black
DNDS22W DNDS22B	S2800 Tablet and Handheld Stand Flat Stand - Perfect Placement - White S2800 Tablet and Handheld Stand Flat Stand - Perfect Placement - Black
DNAS31	S2800 Stylus Cup Holder

**Black sensors and stand are build to order (BTO) and subject to minimum order quantities*



PRODUCT ORDERING

ORDER CODE	DESCRIPTION
ACCESSORIES	
DNPZ11W	S2800 Replacement Ethernet Cable SB-SB Link - White
DNPZ00W	S2800 Power Extender - White
DNPZ00B	S2800 Power Extender - Black
DNLZ11B	S2800 USB-A Replacement Bracket
ZA2500W	Zips Camera Lens Support Stand - White
ZA2500B	Zips Camera Lens Support Stand - Black
MP254	Removal Tool
AF6313	Multi Tool
DNGY11B	S2800 Digital Signage Trigger
REPLACEMENT ADHESIVES	
ADH2019	S2800 Camera/LTO3 Bar Sensor Replacement PSA
ADH2056	S2800 Tablet & Handheld Stand Replacement PSA
ADH2036	S2800 Power Extender Replacement Adhesive
ADH2037	S2800 IR Dot Replacement Adhesive
ADH2006	Small Solid Round Adhesives
ADH2014	Replacement Adhesive for Flex Sensor
ADH2040	S2800 Alarm/Power Boxes Replacement PSA
ADH2057	S2800 Bar Sensor Replacement PSA, 2 per
ADH2058	S2800 Tablet & Handheld Flat/Angled Stand Replacement PSA
ADH2059	S2800 Tablet Sensor w/ Power Port Replacement PSA
ADH2060	S2800 Exposed Tablet & Handheld Sensors Replacement PSA
ADH2040	S2800 Alarm/Power Boxes Replacement PSA
ADH2053	S2800 Stylus Cup Replacement PSA
ADH2027	Stylus Sensor Adhesive
ADH2179	S2865 Adhesive Kit HH Sensor, 8 pack
ADH2178	S2865 Adhesive Kit Tablet Sensor, 8 pack
ADH2177	S2865 Adhesive Kit HH Stand, 8 pack
ADH2176	S2865 Adhesive Kit Tablet Stand, 8 pack



PRODUCT ORDERING

ORDER CODE	DESCRIPTION
POWER SUPPLIES	
SNYP00B	S2865/S2800 Power Supply 18V - US
SNYP01B	S2865/S2800 Power Supply 18V - EU
SNYP02B	S2865/S2800 Power Supply 18V - UK
SNYP03B	S2865/S2800 Power Supply 18V - AUS
PS24V65-US	S2865/S2800 Power Supply 24V - US
PS24V65-UK	S2865/S2800 Power Supply 24V - UK
PS24V65-EU	S2865/S2800 Power Supply 24V - EU
PS24V65-AUS	S2865/S2800 Power Supply 24V - AUS
PS24V65-JPN	S2865/S2800 Power Supply 24V - JPN

invue.com

©2018 InVue Security Products. No endorsement of InVue products has been made by any of the manufacturers of the products shown. Product is sold pursuant to InVue's warranty which can be found at www.invue.com/warranty.

THE AMERICAS 704.752.6513 • 888.55.INVUE

EUROPE, MIDDLE EAST & AFRICA +31.23.8900150

ASIA PACIFIC +852.3127.6811

