

Hard to beat security and price.



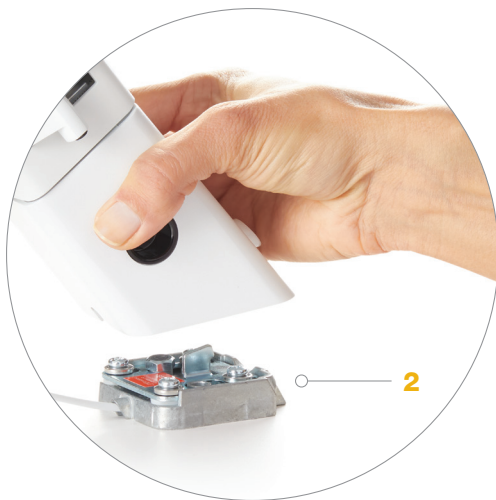
The HS80QR combines high theft merchandise security and superior value to deliver an optimal high theft solution. HS80QR features a hardened steel design, ensuring tough resistance to defeat. Nightly removal is simple, as the stand

can be quickly released from the base using the IR Key. Integrated into the design are fully adjustable brackets allowing the same stand to secure a smartphone or a tablet, saving you time and money during remerchandising.



FEATURES AND BENEFITS

- 1 Interchangeable and adjustable brackets allow one stand to be used with any smartphone or a tablet
- 2 Steel base provides a sturdy anchor to the table
- 3 Nightly removal is simple, as stand can be quickly released from base using the IR Key
- 4 Uses OEM charging cord, reducing solution cost
 - › The base's head allows customer to rotate device to portrait or landscape orientation
 - › Optional alarming Zips 2.0 mini sensor provides added security



IR ECOSYSTEM™

The HS80QR is part of the exclusive InVue IR Ecosystem™, a storewide single key solution that improves customer service, increases sales and provides high theft protection.

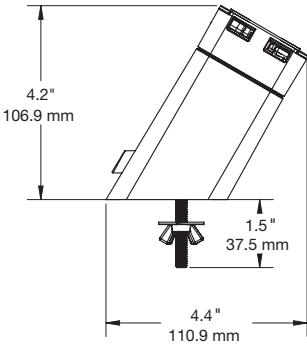


- Handheld Electronics
- Electronic Accessories
- Secure Fixtures
- Package Protection
- Locked Cabinets
- Commercial Solutions



SPECIFICATIONS

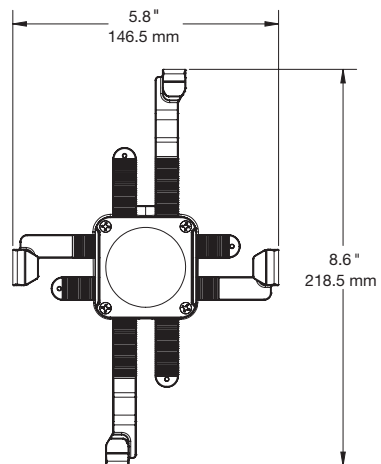
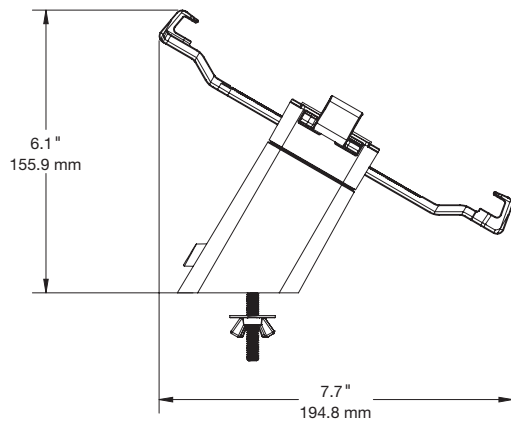
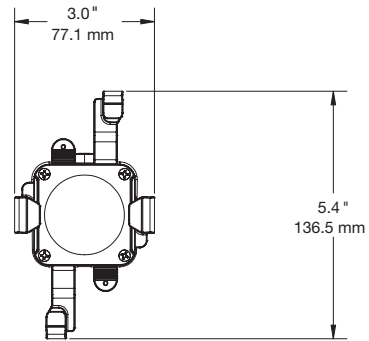
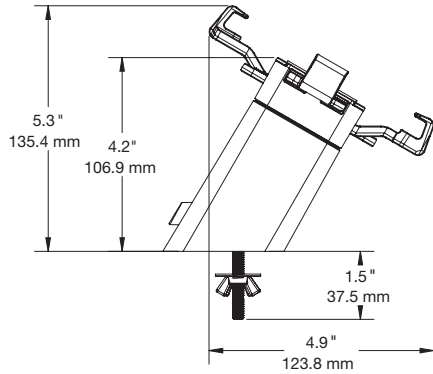
HS80QR Lock Down Angled Stand with IR (HS80IR-W):



HS80QR

SPECIFICATIONS

HS80/81 Steel Arms Handheld (DFD200):



Handheld Bracket Arm Range:

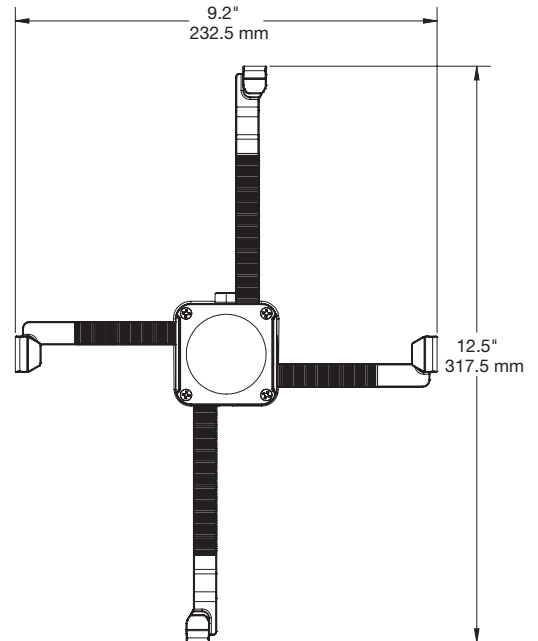
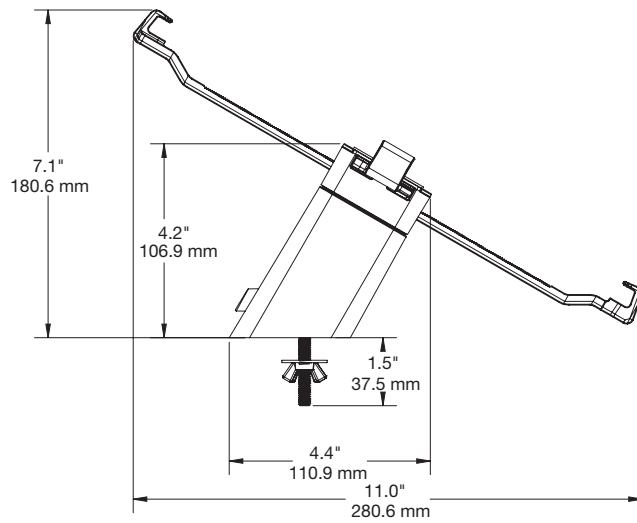
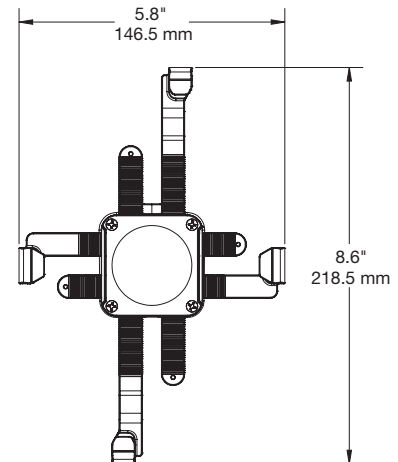
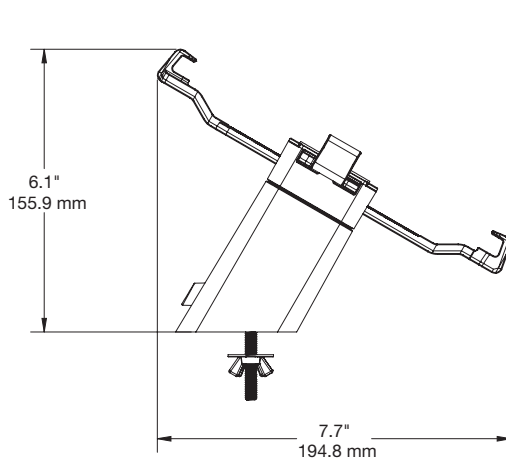
Width: 3.0" – 5.8" (77.1 mm – 146.5 mm)

Height: 5.4" – 8.6" (136.5 mm – 218.5 mm)



SPECIFICATIONS

HS80/81 Steel Arms Tablet (DFD201):

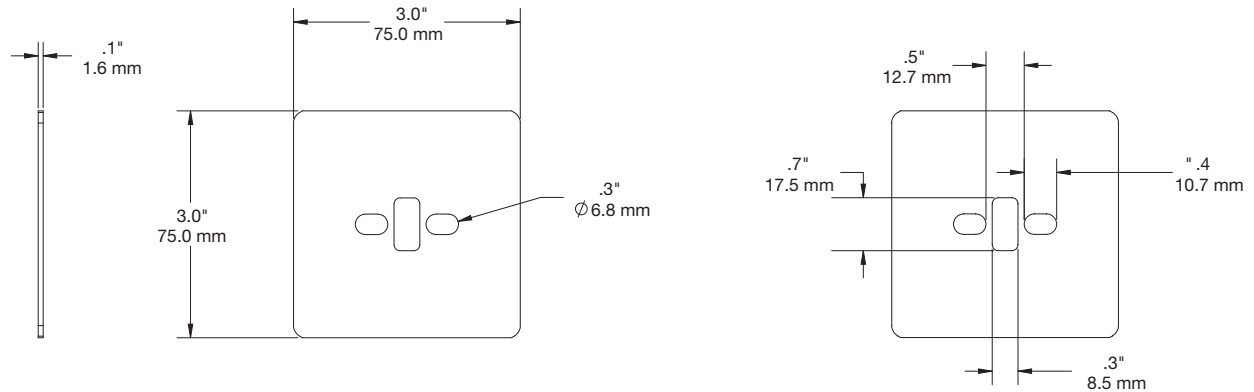


Tablet Bracket Arm Range:
Width: 5.8" – 9.2" (146.5 mm – 232.5 mm)
Height: 8.6" – 12.5" (218.5 mm – 317.5 mm)



SPECIFICATIONS

HS80IR Mounting Plate (HS80IR01):



PRODUCT ORDERING

ORDER CODE	DESCRIPTION	NOTES
HS80IR-W	HS80QR Lock Down Angled Stand with IR	
HS81IR-W	HS80QR Lock Down Flat Stand with IR	
HS80IR01	HS80IR Mounting Plate	
DFD200	HS80/81 Steel Arms Handheld	<ul style="list-style-type: none"> › Width: 3.0" – 5.8" (77.1 mm – 146.5 mm) › Height: 5.4" – 8.6" (136.5 mm – 218.5 mm)
DFD201	HS80/81 Steel Arms Tablet	<ul style="list-style-type: none"> › Width Range: 5.8" – 9.2" (146.5 mm – 232.5 mm) › Height Range: 8.6" – 12.5" (218.5 mm – 317.5 mm)
ADH2187	HS80 & HS80QR medallion replacement PSA	› 12 pack

invue.com

©2018 InVue Security Products. No endorsement of InVue products has been made by any of the manufacturers of the products shown. Product is sold pursuant to InVue's warranty which can be found at www.invue.com/warranty.

THE AMERICAS 704.752.6513 • 888.55.INVUE
EUROPE, MIDDLE EAST & AFRICA +31.23.8900150
ASIA PACIFIC +852.3127.6811