

Powering and securing high theft electronic accessories.



Zips Power™ is the perfect solution to provide power and security to small electronic accessories, such as Bluetooth speakers, headphones, smart watches, GPS and other devices. Zips Power can meet current and future power up needs of electronic accessories and contains

an internal rechargeable battery to maintain security if store power is lost and sensors can be detached to support daily removal for added security at night. Zips Power is an ideal product for retailers that sell small CE devices and electronic accessories.



Easy to use and simple to install.

FEATURES AND BENEFITS

- 1 Complete above counter solution
- 2 Powers 5V, 1 amp devices
- 3 Detachable sensor for easy daily removal
- 4 Rechargeable back-up battery
- 5 Access Manager compatibility provides audit and zone control
- 6 Part of InVue's single key IR Ecosystem™



Zips Power Multiport: Power and protect up to four electronic accessories with one device.

FEATURES AND BENEFITS

- 1 4 port alarm unit — connect up to four devices
- 2 Provides enhanced power for emerging accessories
- 3 Power and alarm continually charges and protects merchandise on display
- 4 “Gold is Good” LED indicates system status
- 5 Above- or below-counter mounting options (PSA or screw mount)
- 6 100 dB alarm
- 7 Access Manager compatibility provides audit and zone control
- 8 Part of InVue’s single key IR Ecosystem™



IR ECOSYSTEM™

Zips Power™ is part of the exclusive InVue IR Ecosystem™, a storewide single key solution that improves customer service, increases sales and provides high theft protection.



Handheld Electronics

Electronic Accessories

Secure Fixtures

Package Protection

Locked Cabinets

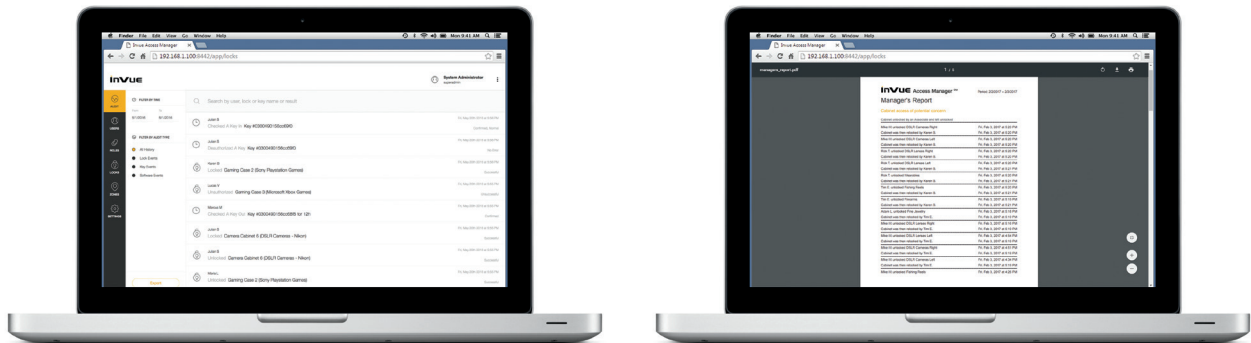
Commercial Solutions



ACCESS MANAGER™

Access Manager helps reduce internal theft by logging every InVue device interaction for every associate, making it easy to detect associate activity that is suspicious. Through its intuitive user interface, individual associates can be

enabled with access to the entire store, a department or individual InVue device. Access Manager works with both Zips Power and Zips Power Multiport.



The IR3 Key is the data conduit that allows Access Manager to provide you the knowledge of who accessed a position and when.



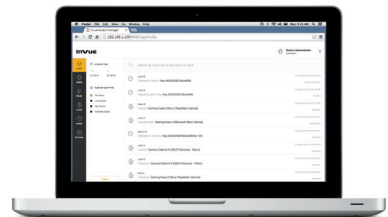
1

IR3 Key is deauthorized with employee PIN on Key Authorization Station



2

Data is immediately pulled and stored in the Access Manager Controller



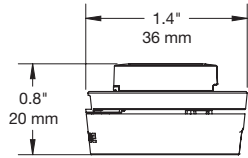
3

Daily activity viewed via Access Manager Interface

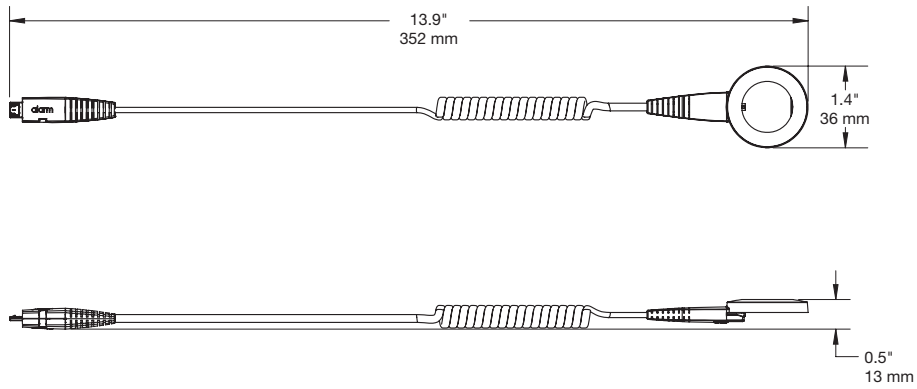


SPECIFICATIONS

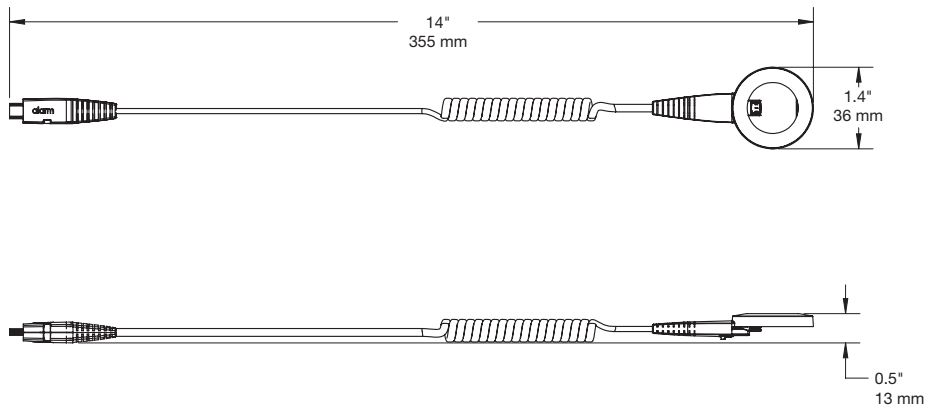
Single Port Alarm Unit (AC102):



Micro USB Sensor, Single Port (AC201):

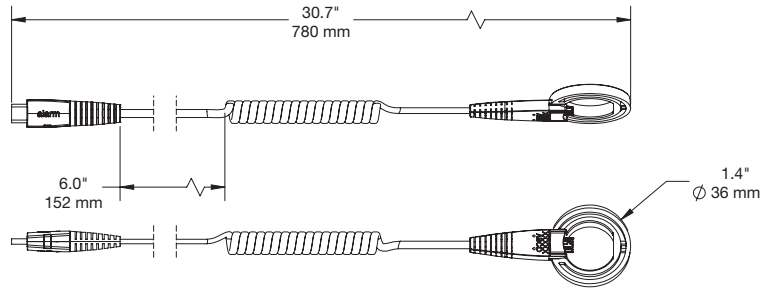


Mini USB Sensor, Single Port (AC121):

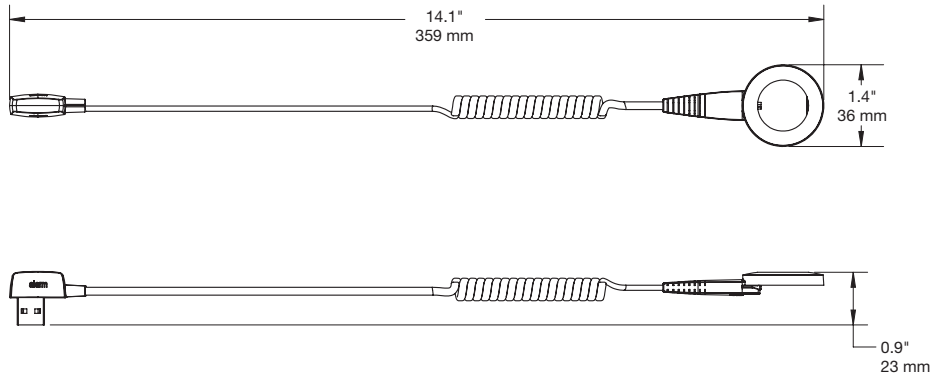


SPECIFICATIONS

USB Type C Sensor, Single Port (AC220):

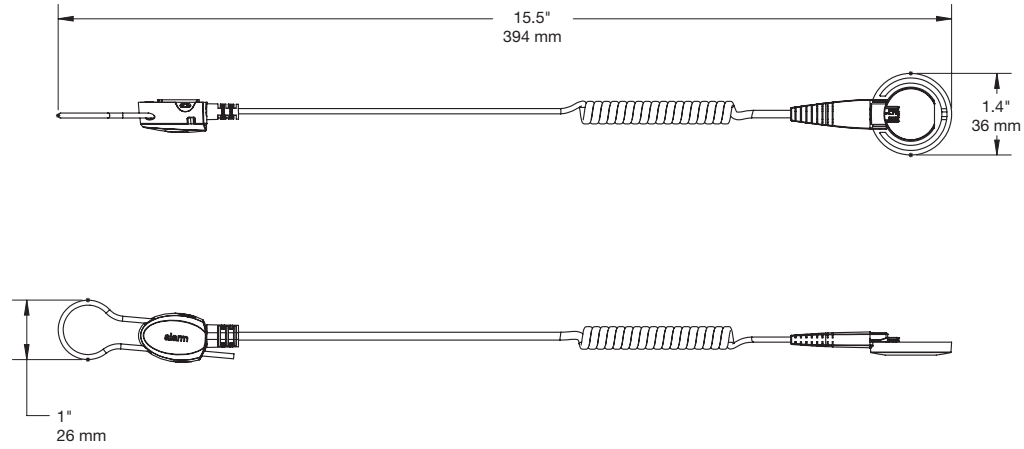


USB Laptop Sensor, Single Port (AC122):

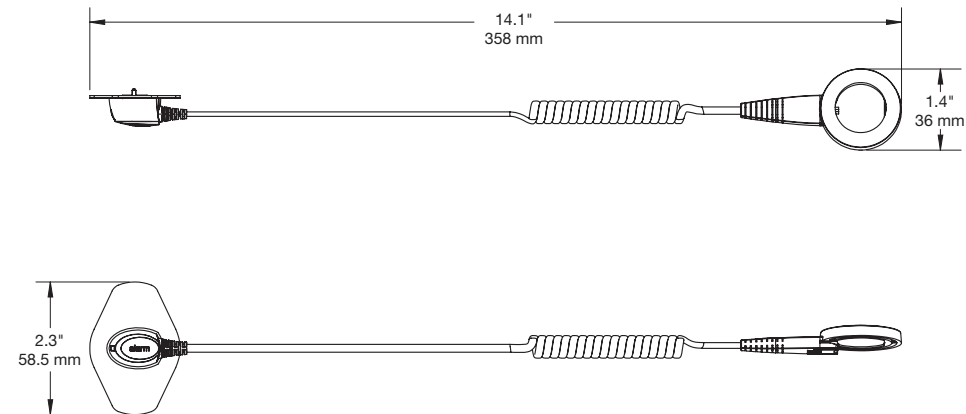


SPECIFICATIONS

Locking Nose Sensor, Single Port (AC123):

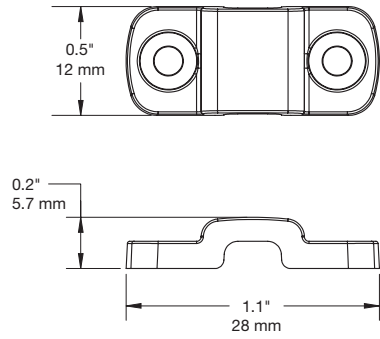


Flexible Sensor, Single Port (AC124):

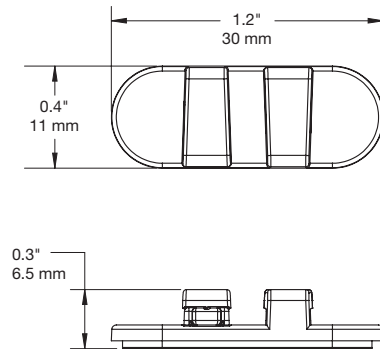


SPECIFICATIONS

Power Supply Clamp (AC142):

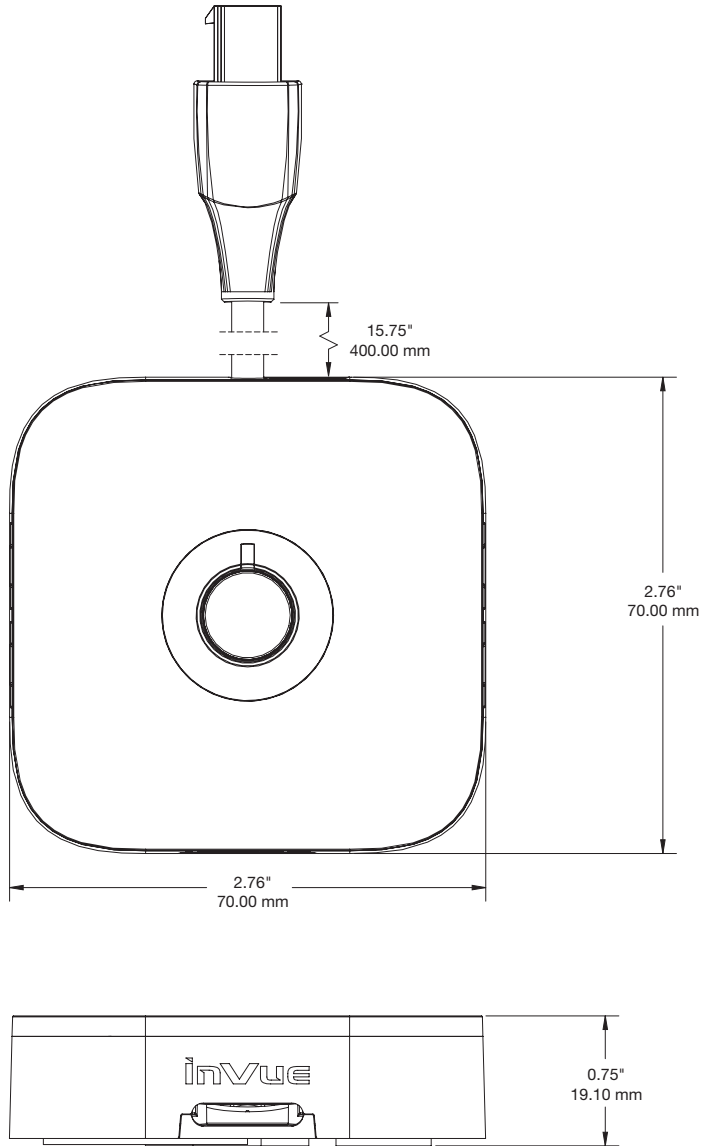


Medallion Accessory (AC143):



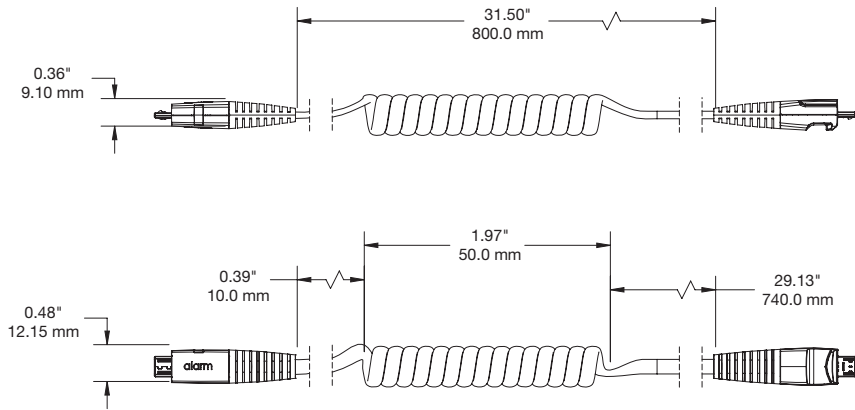
SPECIFICATIONS

Multiport Alarm Unit (ZP1000):

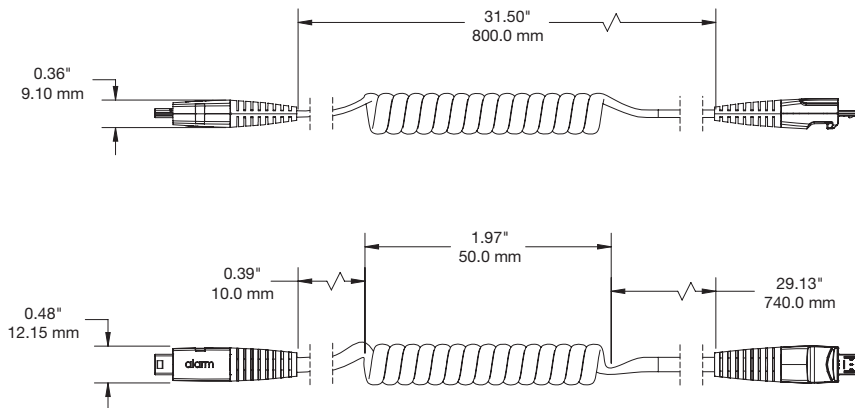


SPECIFICATIONS

Micro USB Sensor, Multiport (ZP2000):

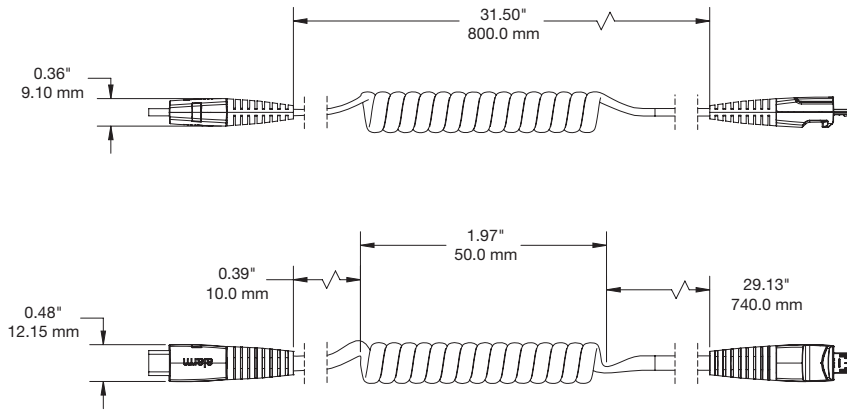


Mini USB Sensor, Multiport (ZP2001):

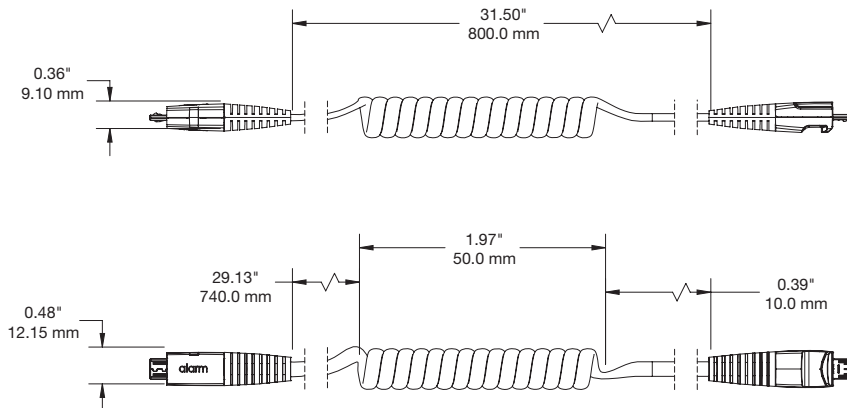


SPECIFICATIONS

USB Type C Sensor, Multiport (ZP2002):

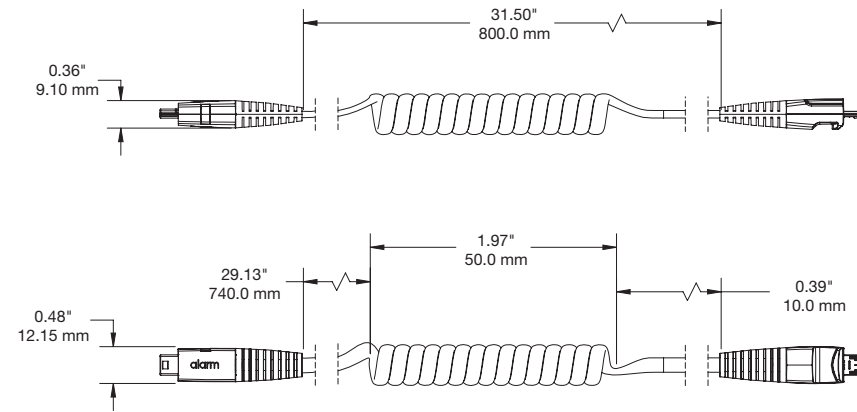


Micro USB Sensor, Multiport, Alternate (ZP2003):

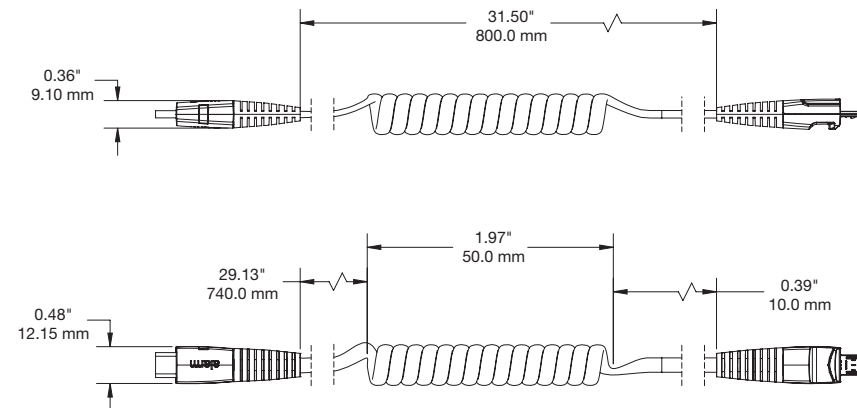


SPECIFICATIONS

Mini USB Sensor, Multiport, Alternate (ZP2004):

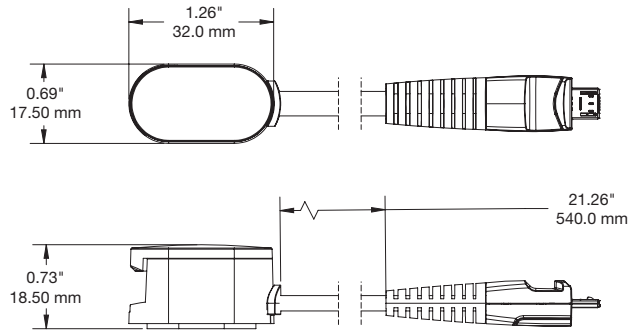


USB Type C Sensor, Multiport, Alternate (ZP2005):

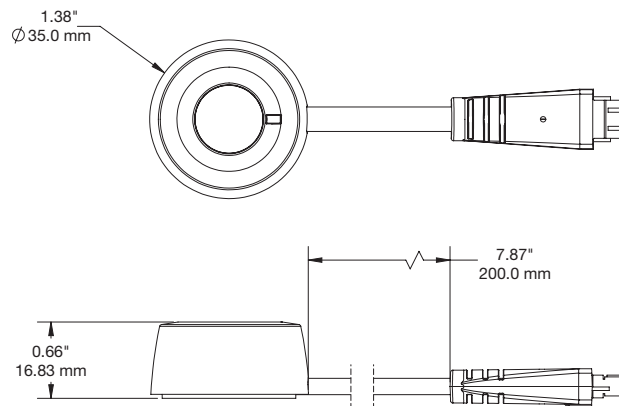


SPECIFICATIONS

Multiport Cable Extender (ZP4000):

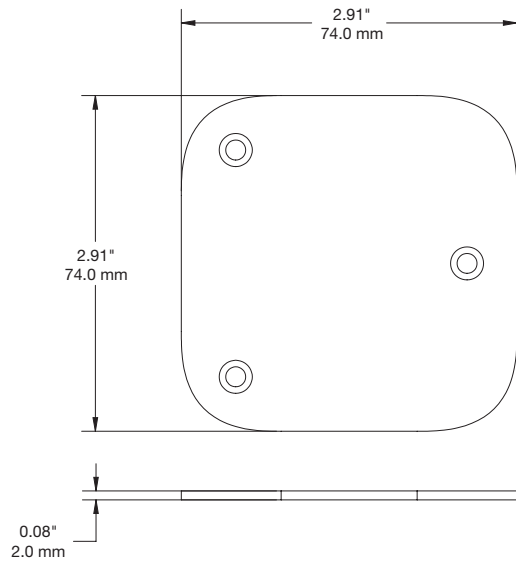


Multiport Remote IR Port (ZP4001):

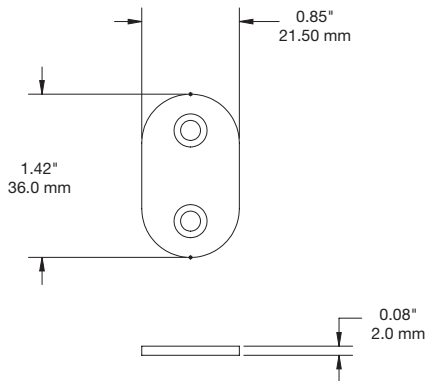


SPECIFICATIONS

Alarm Unit Mounting Plate (ZP4003):



Extender Mounting Plate (ZP4004):



PRODUCT ORDERING

ORDER CODE	DESCRIPTION	NOTES
ALARM UNITS		
AC102	Single Port Alarm Unit	<ul style="list-style-type: none"> › Access Manager compatible › Sensor required › Replacement adhesive: ADH2013
ZP1000-W	Multiport Alarm Unit	<ul style="list-style-type: none"> › Access Manager compatible › Sensor required › Replacement adhesive: ADH2148
SINGLE PORT SENSORS		
AC201-W	Micro USB Sensor, Single Port	› For use with AC102
AC121-W	Mini USB Sensor, Single Port	› For use with AC102
AC220-W	USB Type C Sensor, Single Port	› For use with AC102
AC122-W	USB Laptop Sensor, Single Port	› For use with AC102
AC123-W	Locking Noose Sensor, Single Port	<ul style="list-style-type: none"> › For use with AC102 › Replacement adhesive: EC9178
AC124-W	Flexible Sensor, Single Port	<ul style="list-style-type: none"> › For use with AC102 › Replacement adhesive: ADH2014
MULTIPOINT SENSORS		
ZP2000-W	Micro USB Sensor, Multipoint	<ul style="list-style-type: none"> › For use with ZP1000 › Coiled section near merchandise
ZP2003-W	Micro USB Sensor, Multipoint, Alternate	<ul style="list-style-type: none"> › For use with ZP1000 › Coiled section near Alarm Unit
ZP2001-W	Mini USB Sensor, Multipoint	<ul style="list-style-type: none"> › For use with ZP1000 › Coiled section near merchandise
ZP2004-W	Mini USB Sensor, Multipoint, Alternate	<ul style="list-style-type: none"> › For use with ZP1000 › Coiled section near Alarm Unit
ZP2002-W	USB Type C Sensor, Multipoint	<ul style="list-style-type: none"> › For use with ZP1000 › Coiled section near merchandise
ZP2005-W	USB Type C Sensor, Multipoint, Alternate	<ul style="list-style-type: none"> › For use with ZP1000 › Coiled section near Alarm Unit
ACCESSORIES & ADHESIVES		
ZP4001-W	Multipoint Remote IR Port	<ul style="list-style-type: none"> › For use with ZP1000 › Replacement adhesive: ADH2037
ZP4000-W	Multipoint Cable Extender	<ul style="list-style-type: none"> › For use with ZP1000 › Replacement Adhesive: ADH2038
ZP4003	Alarm Unit Mounting Plate	› For use with ZP1000
ZP4004	Extender Mounting Plate	› For use with ZP4000



PRODUCT ORDERING

ORDER CODE	DESCRIPTION	NOTES
ACCESSORIES & ADHESIVES (continued)		
AC142	Power Supply Clamp	
AC143-W	Medallion Accessory	
AF6324	Watch Display Band	
MP202-W	Handheld Landing Pad	
ADH2013	Single Port Alarm Unit Adhesive	› For AC102
ADH2148	Multiport Alarm Unit Adhesive	› For ZP1000
ADH2037	Multiport Remote IR Port Adhesive	› For ZP4001
ADH2038	Multiport Cable Extender Adhesive	› For ZP4000
EC9178	Locking Noose Sensor Replacement Adhesive	› For AC123
ADH2014	Flexible Sensor Replacement Adhesive	› For AC124
POWER SUPPLIES		
PS515-US PS515-UK PS515-JPN PS515-EU PS515-AUS	5V USB-A Positive Slope Power Supply	› For use with AC102
YLR52	5.3V Universal PIB Power Supply	› For use with ZP1000 › Requires YC cable
YC9 YC10 YC11 YC12	C7 Power Cable - US C7 Power Cable - UK C7 Power Cable - EU C7 Power Cable - AUS	› For YLR52

invue.com

©2017 InVue Security Products. No endorsement of InVue products has been made by any of the manufacturers of the products shown. Product is sold pursuant to InVue's warranty which can be found at www.invue.com/warranty.

THE AMERICAS 704.752.6513 • 888.55.INVUE

EUROPE, MIDDLE EAST & AFRICA +31.23.8900150

ASIA PACIFIC +852.3127.6811

