

Perfect combination of security, experience and cost.



The LTO4 features InVue Alarm-on-Merchandise protection combined with a cut resistant cable and optional bracket arms for enhanced security. Designed to provide an excellent user experience, the LTO4 allows merchandise to be easily lifted from the stand for complete customer interaction

with the phone or tablet. An exclusive breakaway fitting eliminates damage to the stand during a theft attempt and allows easy, immediate re-installation and an exceptional cost of ownership.



Simple configuration includes a stand with sensor that works for both handhelds or tablets.

FEATURES AND BENEFITS

- 1 Alarm on Merchandise provides enhanced theft deterrence
- 2 Breakaway mounting plate eliminates damage, is reusable and allows you to quickly and easily re-install the position
- 3 Single screw merchandise removal provides simple remerchandising and easy nightly removal
- 4 Access Manager compatibility provides audit and zone control for smartphones and tablets (not shown)



FEATURES AND BENEFITS (continued)

- 1 Alarming auxiliary port allows you to cross-merchandise an accessory and dramatically increases accessory sales
- 2 Optional bracket arms provide scalable, enhanced security when and where it's needed
- 3 Power pass-through enables the display to be fully charged (with OEM power supply) and ready for customer trial
- 4 LTO4 is part of the InVue single key IR Ecosystem™



IR ECOSYSTEM™

The LTO4 is part of the exclusive InVue IR Ecosystem™, a storewide single key solution that improves customer service, increases sales and provides high theft protection.

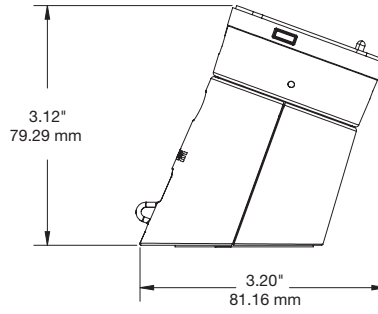
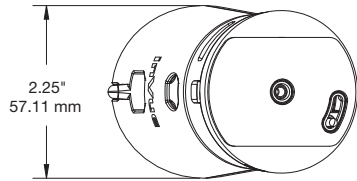


- Handheld Electronics
- Electronic Accessories
- Secure Fixtures
- Package Protection
- Locked Cabinets
- Commercial Solutions

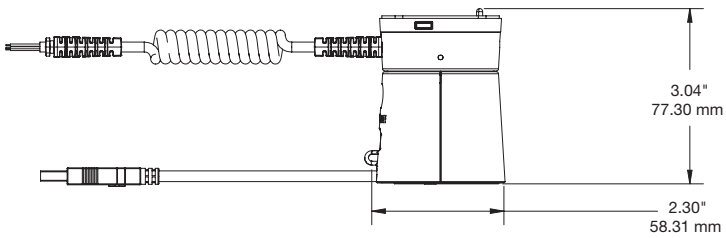
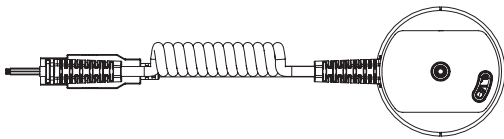


SPECIFICATIONS

LTO4 Alarm Unit – Angled (SLD100):

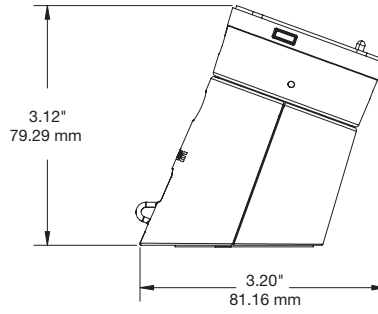
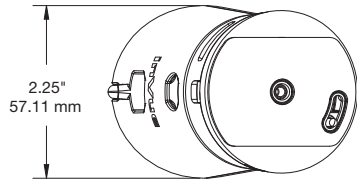


LTO4 Alarm Unit – Flat (SLD101):

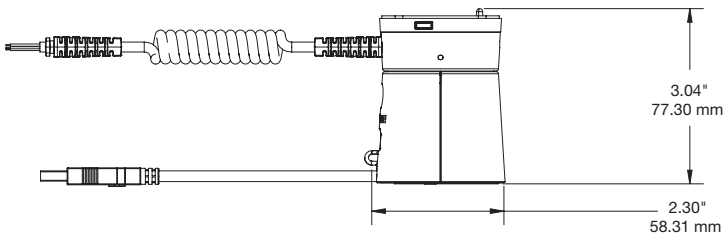
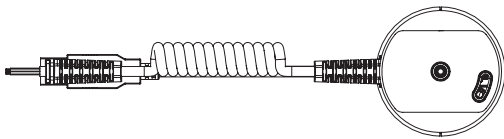


SPECIFICATIONS

LTO4 Display Only Stand – Angled (SLD102):

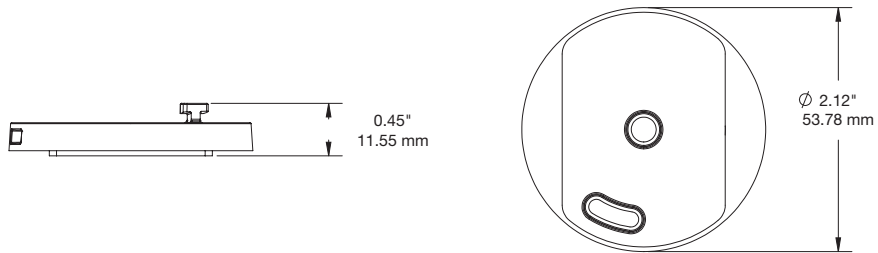


LTO4 Display Only Stand - Flat (SLD103):

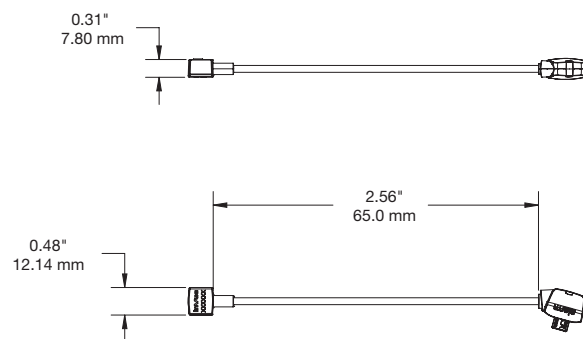


SPECIFICATIONS

LTO4 Replacement Sensor Medallion (SLD301):

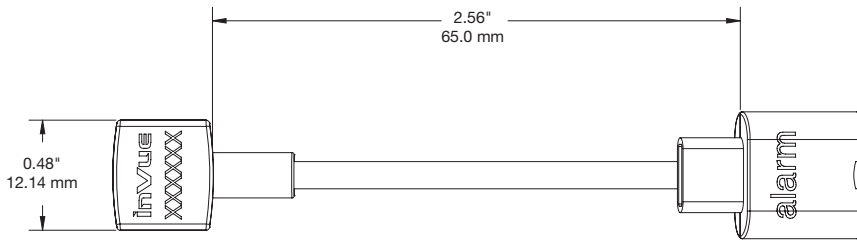
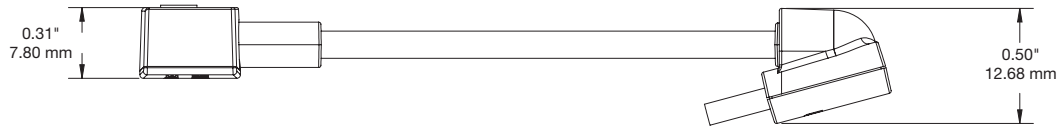


Power Connector, Handheld Micro-USB (CFHM01):

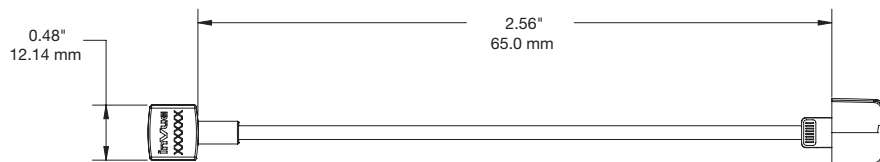


SPECIFICATIONS

Power Connector, Handheld USB-C (CFHR12):

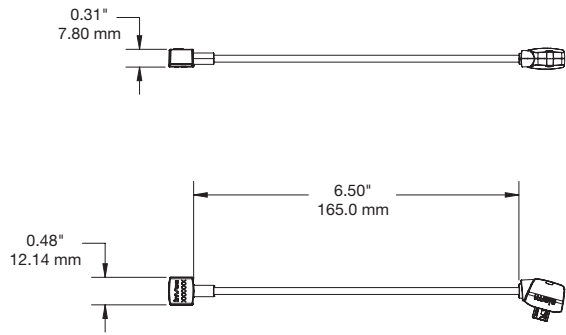


Power Connector, Handheld Apple Lightning (CFHC01):

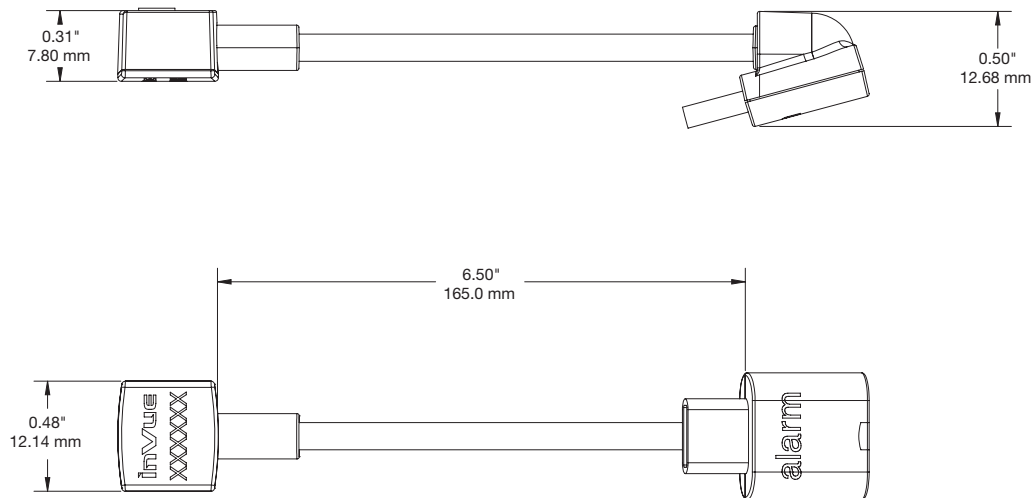


SPECIFICATIONS

Power Connector, Tablet Micro-USB (CFTM01):

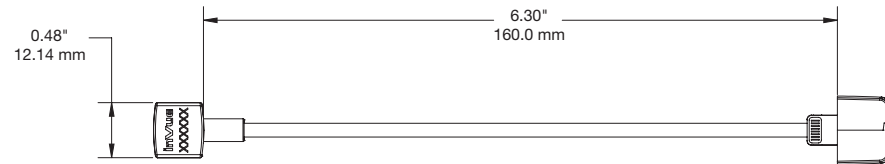


Power Connector, Tablet USB-C (CFTR11):

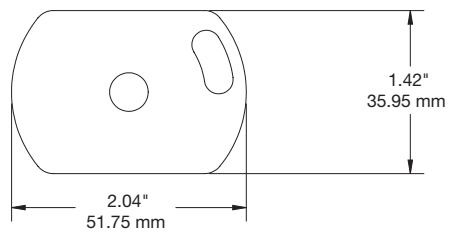


SPECIFICATIONS

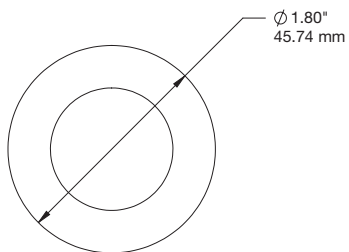
Power Connector, Tablet Apple Lightning (CFTC01):



LTO4 Replacement Sensor Adhesive (ADH2132):



LTO4 Replacement Stand Adhesive (ADH2133):



PRODUCT ORDERING

ORDER CODE	DESCRIPTION	NOTES	CARTON QTY.
SLD100-W SLD100-B	LTO4 Alarm Unit, Angled - White LTO4 Alarm Unit, Angled - Black		32
SLD101-W SLD101-B	LTO4 Alarm Unit, Flat - White LTO4 Alarm Unit, Flat - Black		32
SLD102-W SLD102-B	LTO4 Display Only Stand, Angled - White LTO4 Display Only Stand, Angled - Black		32
SLD103-W SLD103-B	LTO4 Display Only Stand, Flat - White LTO4 Display Only Stand, Flat - Black		32
SLH200	LTO4 Handheld Medallion with Arms		48
SLT200	LTO4 Tablet Medallion with Arms		48
SLT201	LTO4 Tablet Medallion with Arms, Viper		48
SLD301-W SLD301-B	LTO4 Replacement Sensor Medallion - White LTO4 Replacement Sensor Medallion - Black		20
ADH2132	LTO4 Replacement Sensor Adhesive	› 20 pack	1
ADH2133	LTO4 Replacement Stand Adhesive	› 8 pack	20
CFHM01W CFHM01B	Power Connector, Handheld Micro-USB - White Power Connector, Handheld Micro-USB - Black	› For SLD100 or SLD101	100
CFHR12W CFHR12B	Power Connector, Handheld USB-C - White Power Connector, Handheld USB-C - Black	› For SLD100 or SLD101	100
CFHC01W CFHC01B	Power Connector, Handheld Apple Lightning - White Power Connector, Handheld Apple Lightning - Black	› For SLD100 or SLD101	100
CFTM01W CFTM01B	Power Connector, Tablet Micro-USB - White Power Connector, Tablet Micro-USB - Black	› For SLD100 or SLD101	100
CFTR11W CFTR11B	Power Connector, Tablet USB-C - White Power Connector, Tablet USB-C - Black	› For SLD100 or SLD101	100
CFTC01W CFTC01B	Power Connector, Tablet Apple Lightning - White Power Connector, Tablet Apple Lightning - Black	› For SLD100 or SLD101	100
PS515US PS515EU PS515AUS PS515UK PS515JPN	5V USB-A Positive Slope Power Supply 5V USB-A Positive Slope Power Supply 5V USB-A Positive Slope Power Supply 5V USB-A Positive Slope Power Supply 5V USB-A Positive Slope Power Supply		1

 invue.com

©2017 InVue Security Products. No endorsement of InVue products has been made by any of the manufacturers of the products shown. Product is sold pursuant to InVue's warranty which can be found at www.invue.com/warranty.

THE AMERICAS 704.752.6513 • 888.55.INVUE

EUROPE, MIDDLE EAST & AFRICA +31.23.8900150

ASIA PACIFIC +852.3127.6811